



RESEARCH & REVIEWS IN ENGINEERING - I

SEPTEMBER/2021

EDITORS

PROF. DR. BANU NERGİS

ASSOC. PROF. DR. SELAHATTİN BARDAK

ASSOC. PROF. DR. MAHMUT KAYAR

DR. ARİF FURKAN MENDİ

İmtiyaz Sahibi / Publisher • Yaşar Hız
Genel Yayın Yönetmeni / Editor in Chief • Eda Altunel
Kapak & İç Tasarım / Cover & Interior Design • Gece Kitaplığı
Editörler / Editors • Prof. Dr. Banu NERGİS
Assoc. Prof. Dr. Selahattin BARDAK
Assoc. Prof. Dr. Mahmut KAYAR
Dr. Arif Furkan MENDİ
Birinci Basım / First Edition • © Eylül 2021
ISBN • 978-625-8002-44-7

© copyright

Bu kitabın yayın hakkı Gece Kitaplığı'na aittir.
Kaynak gösterilmeden alıntı yapılamaz, izin almadan hiçbir yolla
çoğaltılamaz.

The right to publish this book belongs to Gece Kitaplığı.
Citation can not be shown without the source, reproduced in any way
without permission.

Gece Kitaplığı / Gece Publishing
Türkiye Adres / Turkey Address: Kızılay Mah. Fevzi Çakmak 1. Sokak Ümit Apt.
No: 22/A Çankaya / Ankara / TR
Telefon / Phone: +90 312 384 80 40
web: www.gecekitapligi.com
e-mail: gecekitapligi@gmail.com



Baskı & Cilt / Printing & Volume
Sertifika / Certificate No: 47083

RESEARCH & REVIEWS IN ENGINEERING - I

September / 2021

EDITORS

PROF. DR. BANU NERGİS

ASSOC. PROF. DR. SELAHATTİN BARDAK

ASSOC. PROF. DR. MAHMUT KAYAR

DR. ARİF FURKAN MENDİ

CONTENTS

Chapter 1

MITIGATION OF HARMONIC DISTORTION IN A THREE-PHASE FULL-WAVE CONTROLLED RECTIFIER

Süleyman ADAK & Hasan CANGI 1

Chapter 2

THE EFFECT OF OVEN BAG USAGE ON THE FORMATION OF HETEROCYCLIC AROMATIC AMINES IN CHICKEN MEAT COOKED IN OVEN

Adem SAVAŞ & Fatih ÖZ 29

Chapter 3

THE UTILIZATION OF DEEP LEARNING BASED IMAGE PROCESSING METHOD IN THE DIAGNOSIS OF ALZHEIMER'S DISEASE

Emrah IRMAK..... 49

Chapter 4

PREEMPTIVE GOAL PROGRAMMING APPROACH FOR ASSEMBLY LINE WORKER ASSIGNMENT AND REBALANCING PROBLEM

Aslıhan KARAŞ & Feriştah ÖZÇELİK..... 65

Chapter 5

COMPARISON OF DIFFERENT FINITE ELEMENT TYPES IN CURVED PLATE STRUCTURES

Can GÖNENLİ 87

Chapter 6

ANALYSIS OF WASTE IN A SMALL-SCALED MANUFACTURING FACILITY AND THE PROCESS IMPROVEMENT STUDIES

Büşra BAKDAAL & Serap AKCAN..... 107

Chapter 1

MITIGATION OF HARMONIC DISTORTION IN A THREE-PHASE FULL-WAVE CONTROLLED RECTIFIER

Süleyman ADAK¹

Hasan CANGI²

¹ Assistant Professor Süleyman Adak, suleymanadak@yahoo.com, ORCID:0000-0003-1436-2830, Mardin Artuklu University, Vocational School, Electrical and Energy Department, Mardin, Turkey

² Dr. Hasan Cangi, HASCAN Engineering and contracting company, cangihasan@gmail.com ORCID: 0000-0003-1436-2830, HASCAN Engineering and contracting company, Mardin, Turkey, Reducing harmonic distortion in energy systems, Supervisor :Prof.Dr. Celal Kocatepe, Yildiz Technical University, Graduate School of Natural and Applied Sciences

1. Introduction

Non-linear loads that increasing use of with the development of technology, caused disorders in the sinusoidal form of current and voltage signals. Non-linear waveform contains harmonic components. These harmonic components occur in integer multiples of the main components (50 Hz), such as 150Hz, 250Hz, 350Hz and 750Hz are the 3rd 5th, 7th,..., and 15th harmonic components of a 50Hz fundamental waveform. Harmonic distortion is generally caused by a nonlinear waveform in electrical power systems networks. Harmonic components in the power system will cause in the following hazards at electricity networks:

- Overheating in power lines.
- Resonance in power systems.
- Shortening of life transformers and electrical devices.
- Drilling of the compensation capacitor.
- Protective devices in power systems open timeless due to the harmonic components.
- Parasites in communication facilities.

Converters, rectifiers and frequency drives are used in power electronics. They are the most important sources of harmonic sources. Today, renewable energy sources have great importance in power system. These systems do not have hazards to the environment. In contrast, they are environment friendly. DC/AC converter and inverter are used in these systems Converters and inverters are accomplished by power transistors.

During the production, transmission and distribution of electrical energy, it is desired that the waveform of current and voltage magnitudes be in sinusoidal form. This condition is one of the main factors that determine the quality of electrical energy. However, for many reasons, these fundamental sizes lose their basic properties, causing unwanted harmonics to occur in the system. Harmonic components disrupt the sinusoidal current and voltage waveforms. These waves are called non-sinusoidal waves. The non-linear wave consists of the basic component and sinusoidal waves. Non-sinusoidal waves are expressed in terms of fundamental component and other harmonic components with the help of Fourier analysis.

Also most electronic power supply switching circuits such as rectifiers, silicon controlled rectifier (SCR's), power transistors, power converters and other such solid state switches which cut and chop the power supplies sinusoidal waveform to control motor power, or to convert the sinusoidal AC supply to DC. Theses switching circuits tend to draw current only at

the peak values of the AC supply and since the switching current waveform is non-sinusoidal the resulting load current is said to contain harmonics.

Harmonic components in electrical facilities; they cause additional energy losses, additional voltage drops, resonance events in the power system, low power factor, and consumer low quality energy. Especially AC/DC converters are an important harmonic source in electrical installations. The six-pulse controlled rectifier effectively contains 5th, 7th, 11th, 13th harmonic components. The principle diagram of the power system is as given in Fig. 1.

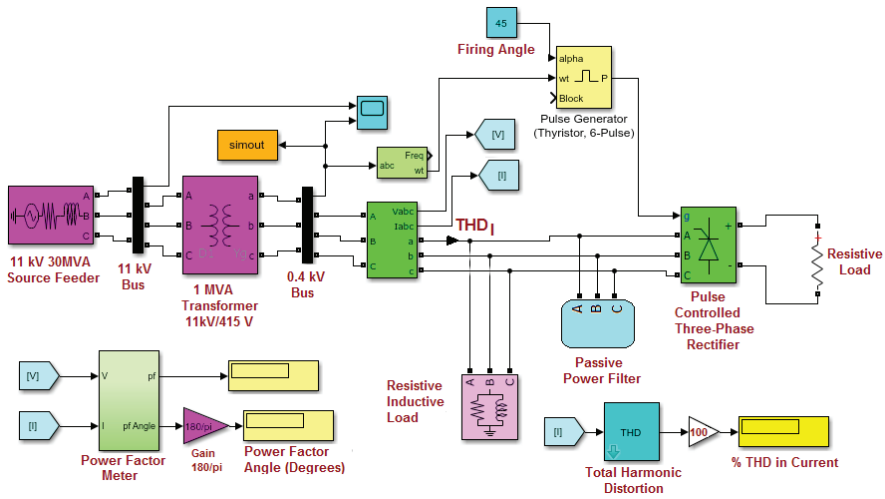


Fig.1. Principle scheme of the power system containing non-linear elements

The harmonic distortion observed in the electrical systems is gradually increasing due to the power electronics-based converters, the use of uninterrupted power supplies with their choppers and their application areas, and the resulting harmonic components cause the energy quality to decrease. As a result of increased harmonic distortion, they damage the devices and cause power losses. Harmonic components are expressed in the power system as exactly multiples of the fundamental frequency. Frequency of harmonic components is found from equation (1).

$$f_n = n \cdot f_1 \tag{1}$$

Where, n is the degree of harmonic component, f_1 is basic component. According to equation (1), the third harmonic component is calculated as $f_3 = 150$ Hz, the fifth harmonic component, $f_5 = 250$ Hz The six-pulse controlled rectifier effectively contains 5th, 7th, 11th, 13th harmonic components. Non-linear characteristic elements cause serious harmonic pollution in power systems and decrease the quality of the energy given to the consumer. To ensure reliable and stable operation of the power system, non-linear elements or harmonic components produced by non-sinusoidal sources should be determined.

In power systems, passive filters are used to suppress harmonic currents and decrease voltage distortion appearing in sensitive parts of the system. A passive filter component is a combination of capacitors and inductors that are tuned to resonate at a single frequency, or through a band of frequencies. In power systems, passive filters are used to suppress harmonic currents and decrease voltage distortion appearing in sensitive parts of the system. A passive filter component is a combination of capacitors and inductors that are tuned to resonate at a single frequency, or through a band of frequencies.

2. Modeling and analysis of the power system

In electrical power systems, harmonic distortion often affects the entire system at great distances from the original sources. Harmonics components are pollution in power systems. As the use of static converters and non-linear elements in energy systems, this pollution rate increases day by day. As a result, harmonic distortion for current or voltage also increases.

The purpose of passive filters is to determine the L and C values that will resonate at the harmonic component frequency that is desired to be destroyed. For each harmonic component, a separate filter arm should be placed to resonate that component. Passive filters can be adjusted to the frequency that makes inductive and capacitive reactance equal to each other. The quality factor Q determines the setting acuity. Depending on the Q factor, the filter is either high pass or low pass. Filter calculations are made by making use of the power formula to be compensated. Reactive power value required for compensation in power system;

$$QK_{om} = P \tan(\cos^{-1}\phi_1) - \tan(\cos^{-1}\phi_2) \quad (2)$$

Where $\cos \phi_1$ pre-compensation power factor, $\cos \phi_2$ power factor after compensation, P the active power of the power system. The most used method for compensation of power systems is compensation made

Before filtering, the total harmonic distortion was measured as 9,517%. These value is high and exceed the limit values specified in the standards. In this book, power quality indices are analyzed for an industrial three phase full wave controlled rectifier as a non-linear load. The amplitudes of the harmonic currents and voltages are inversely proportional to their order, and as the order gets larger, the harmonic amplitude decreases.

Harmonic components currents flow from the harmonic source to the lowest impedance in the power system. The impedance seen by the harmonic current source is the impedance of the system source impedance and other loads connected in parallel to the system. The principle diagram of three phase full wave controlled rectifier is given in Fig. 3.

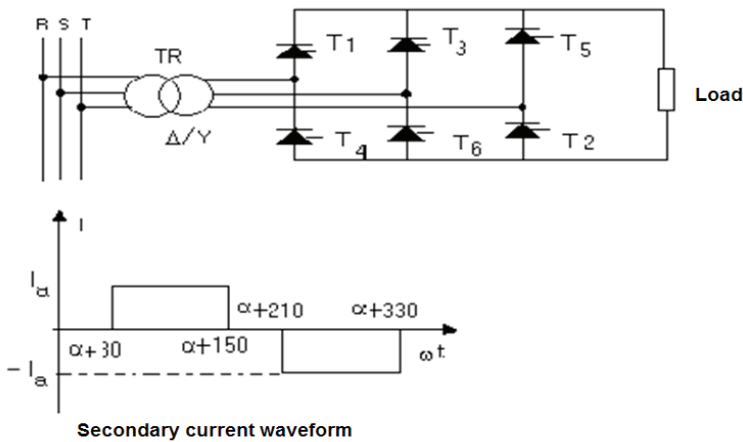


Fig. 3 Three-phase full-wave controlled rectifier and input current waveform

Fig. 3 shows the controlled rectifier circuit and the input current waveform. Fourier series for the controlled rectifier as follows:

$$I = I_d + \sum_{n=1}^{\infty} (A_n \cos(n\omega t) + B_n \sin(n\omega t)) \tag{5}$$

The direct current component is found by equation (4).

$$I_d = \frac{1}{2\pi} \int_0^{2\pi} i_1(t) d\omega t = 0 \tag{6}$$

A_n component of the Fourier series,

$$A_n = \frac{1}{\pi} \int_0^T i_1(t) \cos(n\omega t) d\omega t \tag{7}$$

$$A_n = \frac{1}{\pi} \left[\int_{\pi/6+\alpha}^{5\pi/6+\alpha} I_a \cos(n\omega t) d\omega t - \int_{7\pi/6+\alpha}^{11\pi/6+\alpha} I_a \cos(n\omega t) d\omega t \right] \quad (8)$$

$$A_n = \frac{I_a}{\pi n} \left\{ [\sin \omega t]_{\pi/6+\alpha}^{5\pi/6+\alpha} - [\sin \omega t]_{7\pi/6+\alpha}^{11\pi/6+\alpha} \right\} \quad (9)$$

The general expression of the A_n component is as follows.

$$A_n = \frac{4I_a}{\pi.n} \sin \frac{n\pi}{3} \sin n\alpha \quad (n = 1, 3, 5, \dots) \quad (10)$$

B_n component of the Fourier series,

$$B_n = \frac{1}{\pi} \int_0^{2\pi} i_1(t) \sin(n\omega t) d\omega t \quad (11)$$

$$B_n = \frac{1}{\pi} \left[\int_{\pi/6+\alpha}^{5\pi/6+\alpha} I_a \sin(n\omega t) d\omega t - \int_{7\pi/6+\alpha}^{11\pi/6+\alpha} I_a \sin(n\omega t) d\omega t \right] \quad (12)$$

$$B_n = \frac{I_a}{n.\pi} \left\{ [-\cos n\omega t]_{\pi/6+\alpha}^{5\pi/6+\alpha} - [-\cos n\omega t]_{7\pi/6+\alpha}^{11\pi/6+\alpha} \right\} \quad (13)$$

$$B_n = \frac{4I_a}{n.\pi} \sin \frac{n\pi}{3} \cos n\alpha \quad (n = 1, 3, 5, \dots) \quad (14)$$

is found. Effective value of input current,

$$I_n = \frac{\sqrt{A_n^2 + B_n^2}}{\sqrt{2}} = \frac{2\sqrt{2}I_a}{n\pi} \sin \frac{n\pi}{3} \quad (15)$$

Analytical equation of input current,

$$i_n(t) = \frac{4.I_a}{n\pi} \sin \frac{n\pi}{3} \sin(n\omega t - n\alpha) \quad (16)$$

is found. In short, harmonics are undesirable quantities in energy systems, as they affect all elements in the system. The forms of non-sinusoidal waves consist of the sum of other sinusoidal waves with different frequency and amplitude. Sinusoidal waves other than the basic wave are called "harmonic components". The graph of the nonlinear load current is as given in Fig. 4.

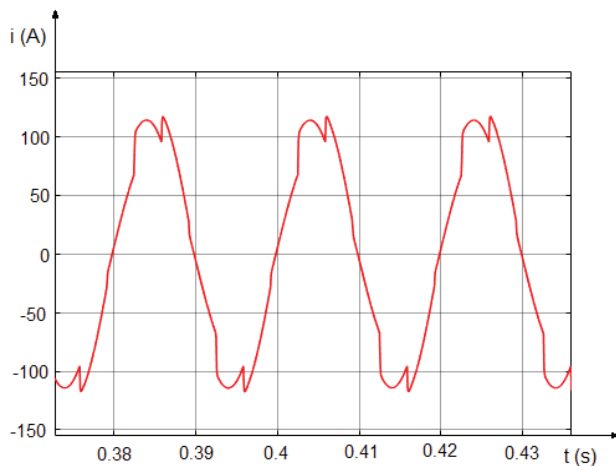


Fig. 4. Non-linear characteristic load current waveform

Power electronics-based choppers, transformers and inverters used in power systems are harmonic sources. Because of their operating characteristics, deviations occur in the sinusoidal waveform of current and voltage. High pulse rectifiers should be used to reduce harmonic components in power systems. As the number of pulses at the rectifier output increases, the waveform resembles the sine curve and the THD value decreases.

Table 1 Harmonic components in the power system (without filter)

Harmonic components	The amplitude of harmonic components (A)	Phase angle of harmonic components (Degrees)
h1	116.4	-0.0459
h3	0	0
h5	8.374	144.2
h7	4.129	21.47
h9	0	0
h11	3.347	-133
h13	2.327	104.4
h15	0	0
h17	2.081	-50.1
h19	1.6	-172.5
h21	0	0
h23	1.499	32.83
h25	1.204	-89.33

h27	0	0
h29	1.162	115.9
h31	0.9541	-5.97
h33	0	0
h35	0.9401	-161
h37	0.7812	77.56
h39	0	0
h41	0.7827	-77.66
h43	0.6544	161.3
h45	0	0
h47	0.6647	5.808
h49	0.5576	-114.8

Power electronics-based choppers, transformers and inverters used in power systems are harmonic sources. Because of their operating characteristics, deviations occur in the sinusoidal waveform of current and voltage. High pulse rectifiers should be used to reduce harmonic components in power systems. As the number of pulses at the rectifier output increases, the waveform resembles the sine curve and the THD value decreases.

Even if non-linear characteristic loads are low power, they disrupt the sinusoidal current and voltage waveform in power systems. Considering a large number of non-linear loads connected to power systems, they result in increased harmonic distortion values with additional losses. The harmonic components of the nonlinear current wave are as shown in Fig. 5.

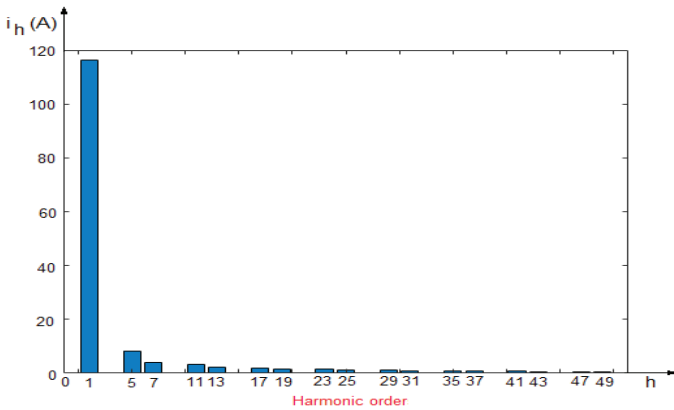


Fig. 5. Amplitude of harmonic components of the non-linear load (before filtering)

In short, harmonic components are undesirable quantities in power systems, as they affect all elements in the system. Therefore, it is absolutely

necessary to install filter circuits that will filter harmonics. Passive filters are placed in parallel in the power system. Among these filters, bandpass and highpass filters are used very often in the power system. The power transformer secondary current waveform as shown below.

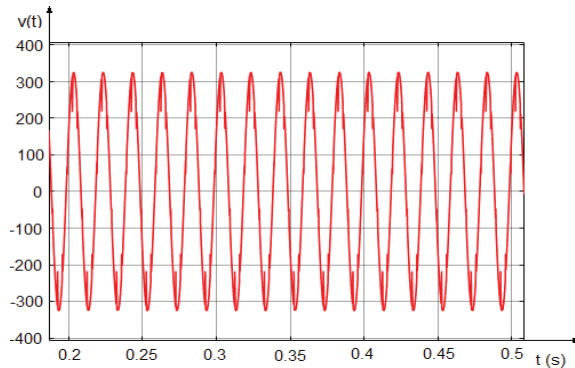


Fig. 6. Secondary voltage of the power transformer

Resonance conditions must be calculated separately for each harmonic component. It causes damage to equipment in power system. High-grade harmonic components can affect the entire power system. These effects also reduce the performance of the power system and other equipment.

3. Reducing of total harmonic distortion in power system

In power systems, it is desired that the current and voltage waveform be in sinusoidal form and at a 50 Hz frequency. This condition is one of the main factors that determine quality of energy. However, due to many reasons, the waveform of this current and voltage loses its basic properties and harmonic components are occurred in the power system.

To operate electric energy system and their loads reliably, the waveform of the system magnitudes should be in the form of sinusoidal with 50 Hz. However, owing to elements connected to the power system and some events the voltage and current waveform are deviated from pure sinusoidal form, which cause to undesired harmonics. It has long been known that nonlinear loads cause to voltage and current waveform distortion in distribution networks. In addition importance of the research on this subject has recently intensified due to both the widespread use of power electronic devices and the increase in the number of sensitive electrical devices to waveform distortion. Voltage and current waveform distortion due to harmonics can make the electrical system and electrical consumer either damaged or out of order.

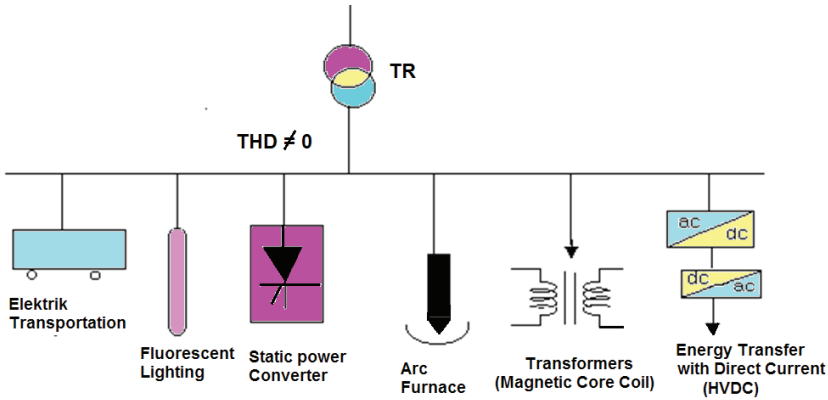


Fig.7 Non-linear loads (harmonic current sources)

Important harmonic sources that cause harmonic components in power systems are as follows;

- One and three phase transformers,
- Rotary electric machines,
- Converters,
- Arc furnaces,
- Gas discharge armatures,
- Static VAR compensators (SVC),
- Photovoltaic solar systems,
- Computers,
- Uninterruptible power supplies (UPS), :Uninterruptible Power Supply),
- High voltage energy transport with direct current,
- Electric locomotives.

The analysis of these elements, which are the source of harmonic, is great importance. Non-linear characteristic load current is as given below.

$$\begin{aligned}
 i(\omega t) = & 116.4 \sin(\omega t - 0.046) + 8.374 \sin(5\omega t + 144.2) + 4.129 \sin(7\omega t + 21.47) \\
 & + 3.347 \sin(11\omega t - 133) + 2.327 \sin(13\omega t + 104.4) + 2.081 \sin(17\omega t - 50.1) \\
 & + 1.6 \sin(19\omega t - 172.5) + 1.499 \sin(23\omega t + 32.83) + 1.204 \sin(25\omega t - 89.33) \\
 & + 1.162 \sin(29\omega t + 115.9) + 0.9541 \sin(31\omega t - 5.97) \\
 & + 0.9401 \sin(35\omega t - 161) + 0.7812 \sin(37\omega t + 76.56) \\
 & + 0.7827 \sin(41\omega t - 77.66) + 0.6544 \sin(43\omega t + 161.3) \\
 & + 0.6647 \sin(47\omega t + 5.8008) + 5.5576 \sin(49\omega t - 114.8)
 \end{aligned}$$

The graph of this non-linear characteristic current wave is as shown in Fig. 8.

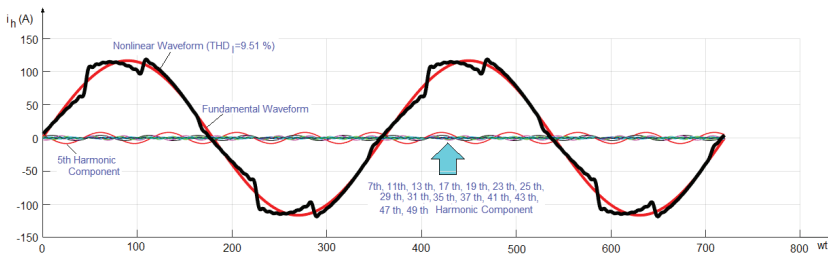


Fig. 8. Non-linear waveform with the harmonic components

Power electronics equipment is an important source of harmonics. In general terms, rectifiers, inverters, frequency inverters and choppers are harmonic sources. These devices produce harmonics because they work with the principle of electronic switching. One of the harmonic sources is one-phase and three-phase line commutated converters.

DC transmission systems, battery and photovoltaic systems are fed via line commutated converters. One of the uses of the big powerful converter is electric energy transfer system. The advantage of a three-phase converter over a one-phase converter is that it does not generate solid harmonics of three and three. Harmonic components produced by an ideal converter,

$$h = kp \pm 1 \tag{18}$$

Here, p the number of pulse, k is any number from 1 to infinity, h indicates the harmonic order. Thus, the three-pulse rectifier generates all harmonics except the multiples of three and three. A 6-pulse rectifier generates 5th, 7th, 13th, 17th, 19th, 23rd, 25th, etc. harmonics. 12 pulse rectifier produces 11th, 13th, 23rd, 25th, 35th, 37th, etc. harmonics. Generally, six pulse rectifiers are used in industrial power system. Between the fundamental component current I_1 and the harmonic component current I_n ,

$$\frac{I_n}{I_1} = \frac{I}{h} \tag{19}$$

It is found by this analytical formula. In order to increase energy quality, the efficiency of non-linear loads in power systems should be reduced.

4. Reducing harmonic distortion with passive filters

Harmonic filter is equipment consisting of passive circuit elements such as capacitor, reactor and resistor. It is used for reactive power compensation while eliminating unwanted harmonic currents. It provides a low impedance path at one or more specified frequencies in the network, which prevents the currents at those frequencies from flowing to the grid. Moreover, since they also make reactive power compensation, they provide voltage support to the network. They are used mostly in heavy industries such as cement, textile, iron & steel factories, etc. Passive filters are generally used to eliminate harmonic components in the power system. Passive filters used in power systems are shown in Fig. 9.

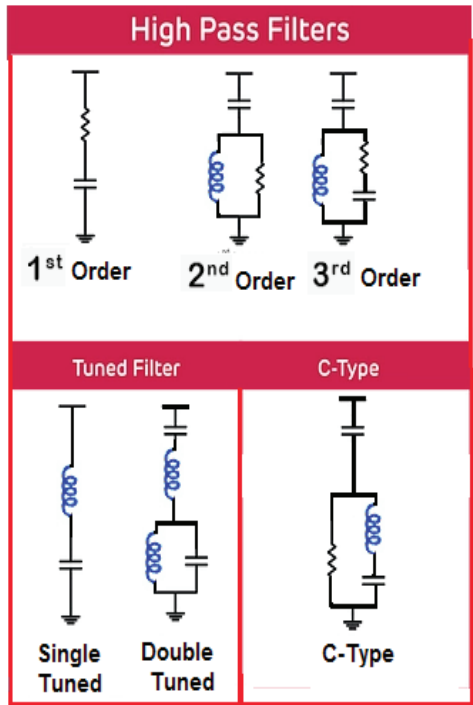


Fig. 9 Types of passive filters

Passive Filters Types:

- High pass filters are also named as damped filters.
- Generally used for the filtering of harmonics higher than 13th harmonics.

- Tuned filters are generally tuned to a specific frequencies like 3rd, 5th, 7th, 11th and 13th to present low impedance to a particular harmonic current.
- C-type filter is generally used for attenuation of low order harmonics and inter-harmonics created by an electric arc furnace (EAF) and HVDC transmission systems.

Passive filters consist of inductance, capacity and ohmic resistance. Passive filters eliminate harmonic components other than the basic component. They are placed between the source and the load. L and C elements are brought to resonance at the frequency value of the harmonic components to be eliminated. Single-tuned filters are used for low-grade harmonic components while filter design.

A passive filter can consist of several steps which are tuned to different frequencies. It can also consist of several steps for a certain frequency. The tuning frequency, capacity and network impedance determine the effectiveness of the filter. One step is required for each harmonic up to the desired frequency. With passive filters, the tuning frequencies of the filter steps are not precisely tuned to the harmonic currents to be filtered so that extremely high filter currents are avoided.

In addition, passive filtering is not only possible in the range from the 3rd to the 25th harmonic, but also possible even beyond this. Filter steps for all possible harmonics of a lower order must be present for each filter circuit, namely for higher harmonics, to prevent their reinforcement. Passive filters are frequently implemented as tuned filters. In industrial networks, these filters are usually tuned to the harmonics of the order $h = 5, 7, 11, 13, \dots$ which are typical for inverters. Passive filters – and reactor-protected compensation systems – are made of a series circuit of reactor and capacitor. The characteristic of series resonance is used here intentionally to divert harmonic currents for the specific frequency by using lower impedance.

This means that the network impedance/filter step current divider reduces the harmonic current flowing into the network and thus also the harmonic voltage in the network impedance. In addition to the ‘fundamental frequency compensation power’ (basic harmonic reactive power) that is provided, the harmonic load ability thus becomes an important characteristic for passive filtering.

4.1. The Series (Single-Tuned) filter

It is the most used filter type. Fig.10 shows the circuit schematic and a typical impedance characteristic for the series or single-tuned filter.

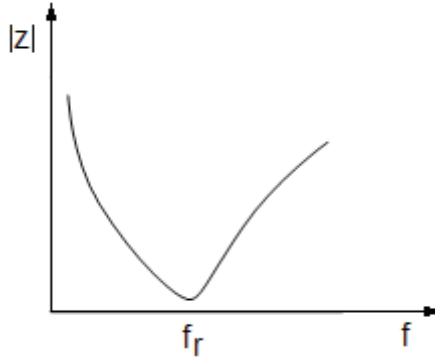


Fig.10 Series (Single-Tuned) Filter

This filter is tuned to suppress a single frequency and is designed based on three quantities: The harmonic current order that requires blocking, the capacitive reactive power that it is going to provide, and its quality factor. The voltage level and the fundamental frequency, which are given by the system, must also be considered during the design process. The quality factor is a quantity that defines the bandwidth of the filter and, in this case, is expressed as the ratio between the reactance and the resistance of the filter. A typical range for Q is between 30 and 60. The following equations can be applied for designing the filter:

$$C = \frac{Q_c}{2\pi f V^2} \quad (20)$$

$$X = \frac{1}{2\pi f h C} \quad (21)$$

$$L = \frac{X}{2hf} \quad (22)$$

$$Q = \frac{2\pi f L}{R} \quad (23)$$

$$R = \frac{1}{2\pi f C} \quad (24)$$

Where, X is the reactance of the inductor or the capacitor at the tuned frequency, h is Tuning point of the filter (harmonic order), Q_c is reactive power of the filter [MVar], Q Quality factor, f is system frequency [Hz], V System voltage [kV].

4.2 Band-pass filter

This component can be used in to model high-order filters. Probably the most popular is the double-tuned filter (depicted in Fig.11), which is a combination of a band-pass filter in series with an inductor and a capacitor. This type of filter works by combining the parallel resonance of the band-pass filter, with the series-resonance of the inductor and capacitor combination. Two new resonant frequencies are optioned, as shown in the graph. This configuration makes the filter less expensive to build than the parallel combination of two independent series filters.

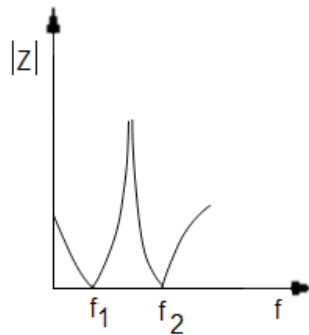


Fig.11 Impedance characteristic of a double-tuned filter

Due to tuning, filter circuits cannot be controlled like reactor power compensation. The generation of harmonics does not correlate with the compensation requirements. This means that the steps of the same tuning frequency can thus be overloaded if they are only switched on and off based on reactive power requirements.

4.3. High-pass filter

This filter is designed to have an impedance characteristic that is flat for high frequencies. Fig. 12 shows the circuit schematic and a typical impedance characteristic for a high-pass filter.

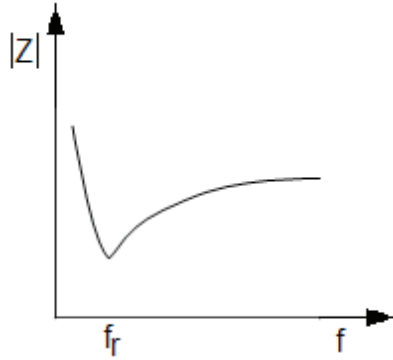


fig.12 High-pass filter

It can be shown that low resistance values will increase the losses, due to that parallel connection with the inductor, and having higher inductance is easier to achieve when designing the filter to work at high frequencies. Thus, this type of filter is applied to suppress 5th harmonic order currents or higher. The resistance also establishes an asymptotic behaviour in the impedance, limiting the maximum value at high frequencies. This means wide bandwidth that can be measured by the quality factor, which is the inverse of that for the series filter, and it is designed to have values between 0.5 and 2.

Application areas of passive harmonic filters:

- Transmission and Distribution Systems
- Metal Industry
- Mining Industry
- Textile Industry
- Commercial Facilities
- Power systems converters

As the harmonic degree grows, it is not economical to design filters for each harmonic component. In addition to the highpass filter design, bandpass filter should be designed for harmonic components above a certain frequency.

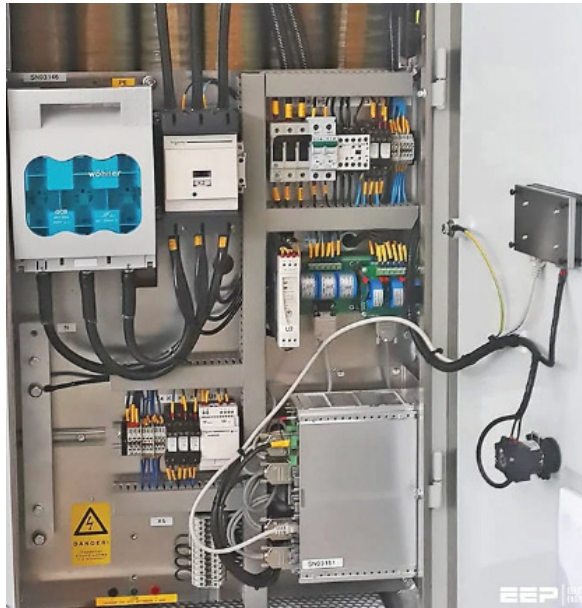


Fig.13 Passive filter

As the passive filters offer very low impedance at the resonance frequency, the corresponding harmonic current will flow in the circuit whatever its magnitude. Passive filter always provides a certain amount of reactive power. This is not desirable when the loads to be compensated are alternating current (AC) drives, which already have a good power factor (PF). In that case, the risk of overcompensation exists as a result of which the utility may impose a fine.

The degree of filtering provided by the passive filter is given by its impedance in relation to all other impedances in the network. As a result, the filtration level of a passive filter cannot be controlled and its tuning frequency may change in time due to aging of the components or network modifications. The quality of the filtration will then deteriorate. It is also important to note that a passive filter circuit may only filter one harmonic component. A separate filter circuit is required for each harmonic that needs to be filtered.

Passive filters can get overloaded under which condition they will switch off or be damaged. The overload may be caused by the presence of unforeseen harmonics on the supply system or caused by structural modifications in the plant itself (such as the installation of a new drive).

Generally, the dimensioning of the filters is as much as the load reactive power requirement for power factor correction. In this case, when the power factor correction capacitor is converted to a harmonic filter, the capacitor size is given. The principle schema of the power system after using filters is given in Fig. 14.

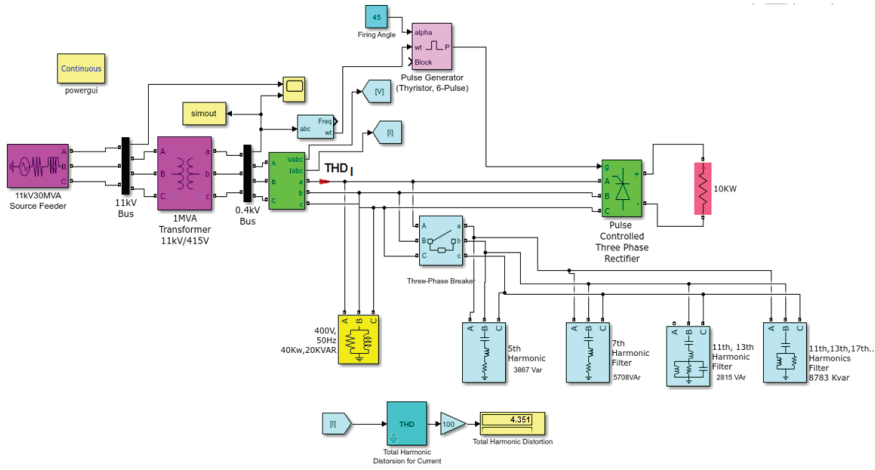


Fig. 14 Simulink equivalent of power system (after filtering)

After filtering, the total harmonic distortion was measured as 4,351%. This value overlaps with the values given in the standards. In this article, Matlab/Simulink software is used to filter the power system and filter harmonics.

In this book, various filters were used to mitigate harmonic components, such as 5th and 7th harmonic components with single tuning filters, 11th and 13th harmonic components with a double tuned filter, high harmonic components with a high pass filter. As a result of this study, it was observed that both harmonic distortions were reduced and power factor was improved.

Over-saturated magnetic circuits, arc-operated operating tools, and power electronics-based devices are harmonics in the power system. Because the current and voltage waveforms of these systems are non-linear. These harmonic components, which are formed in current and voltage waveforms, damage electrical facilities and consumers connected to these facilities and make power systems inoperable.

Table 2 Harmonic components in the power system (after filtering)

Harmonic components	Amplitude of harmonic components (A)	Phase angle of the harmonic components (Degrees)
h1	102.9	21.38
h3	0	0
h5	2.88	75.6
h7	1.427	-43.79
h9	0	0
h11	0.397	147.3
h13	0.1728	29.59
h15	0	0
h17	0.601	-51.72
h19	1.28	-174.5
h21	0	0
h23	1.216	30.11
h25	0.9919	-92.10
h27	0	0
h29	0.9504	112.4
h31	0.7905	-9.481
h33	0	0
h35	0.768	-165
h37	0.6468	73.51
h39	0	0
h41	0.636	-82.17
h43	0.54	156.8
h45	1.157	87.41
h47	0.5363	0.9027
h49	0.4579	-119.7

Harmonics cause loss of copper and iron and leakage fluxes in transformers. In rotary electrical machines, they affect the slip and moment and cause noise and vibration operation. At the same time, they cause false signals to be triggered by systems triggering the transition of the sine wave from zero. In the power system, resonance occurs due to harmonics components. This means that the fuses in the power system will open frequently, irregular operation of the protection relays and shorten the life of all devices in the power system.

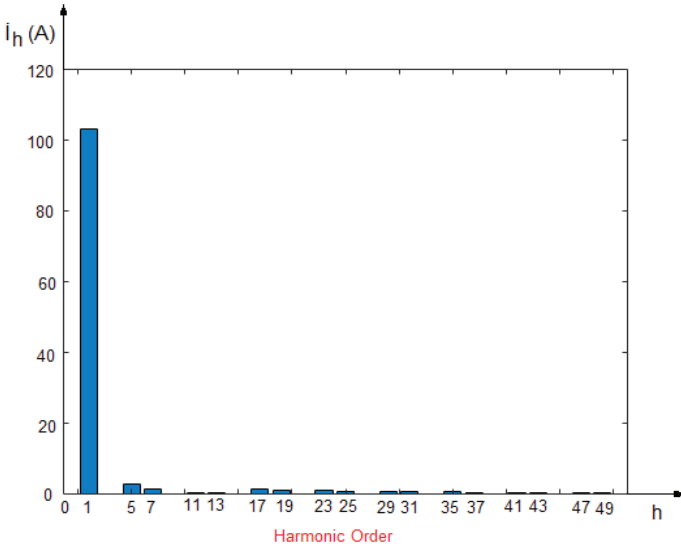


Fig. 15 Amplitude of harmonic components (after filtering)

Harmonics that are active in the power system are the fifth harmonic component, the seventh harmonic component and the eleventh harmonic components.

4.4. Comparison of harmonic components before and after filtering

Harmonic currents tend to flow from the harmonic source to the lowest impedance. The total impedance in the power system is the impedance of the system source and loads impedance which connected in parallel to the system. In the power system, the waveform of the voltage and current must be in the sinusoidal waveform.

However, the sinusoidal waveform of current and voltage lose their sinusoidal characteristics due to nonlinear loads in electrical networks. As an example of these loads; uninterruptible power supplies, AC / DC converters, soft starters and various office equipment. it is a highly preferred method to use passive harmonic filters for reduction total harmonic distortion (THD) and to improve the system power factor. The proposed power system is a combination of three-phase voltage supply, three-phase power transformer, six-pulse controlled rectifier, passive filter and resistive inductive load.

The six-pulse controlled rectifier in the power system is like a harmonic source and produce 5th, 7th, 13th, 17th, 19th, etc. harmonic components. Passive filters were used to reduce the total harmonic distortion of the load

current and to improve the power factor of the system. The power system was modeled and analyzed using the Matlab/Simulink software program. Before using the filter in the power system, the total harmonic distortion for current (THDI) value was measured as 9,517%. It was observed that the THDI value decreased by 4,351% after using the passive filter.

Table 3 Harmonic components in the power system (before and after filtering)

Order of harmonic components	Amplitude of the harmonic component (before filtering) (A)	The amplitude of the harmonic component (after filtering) (A)
h1	116.4	102.9
h3	0	0
h5	8.374	2.88
h7	4.129	1.427
h9	0	0
h11	3.347	0.397
h13	2.327	0.1728
h15	0	0
h17	2.081	0.601
h19	1.6	1.28
h21	0	0
h23	1.499	1.216
h25	1.204	0.9919
h27	0	0
h29	1.162	0.9504
h31	0.9541	0.7905
h33	0	0
h35	0.9401	0.768
h37	0.7812	0.6468
h39	0	0
h41	0.7827	0.636
h43	0.6544	0.54
h45	0	1.157
h47	0.6647	0.5363
h49	0.5576	0.4579

Some measures should be taken to overcome the technical and economic problems of harmonics in the energy system. Harmonic filters should be used in order to reduce harmonic distortion in the power system below the limit values given in the standards.

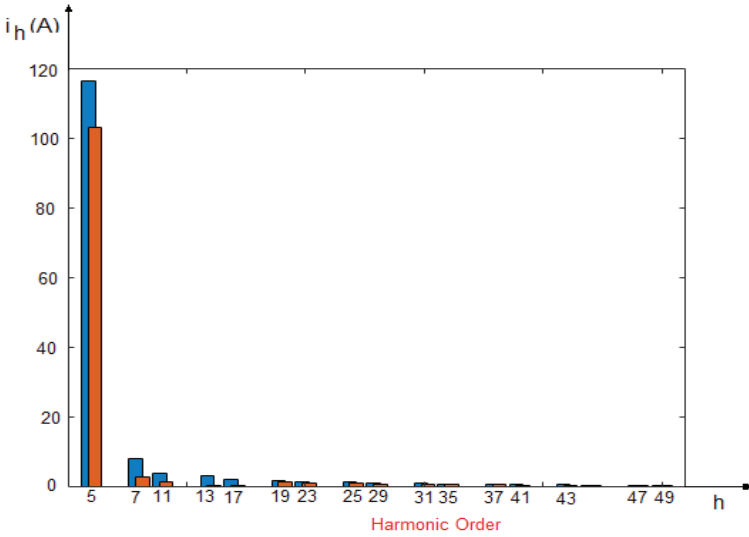


Fig. 16 Amplitude of harmonic components (before and after filtering)

As shown by Fig. 10, after 5th, 7th harmonic filters installation, the 5th harmonic content is decreased from 8.374 A to 2.88 A, and the 7th harmonic content is decreased from 4.129 A to 1.427 A. The 11th harmonic decreased from 3.347 A to 0.397 A, and the 13th harmonic decreased from 2.327 A to 0.1728 A, respectively.

Harmonic components in the power system cause additional heat losses. This additional loss increases the cost of energy used. In addition, harmonic components other than the basic harmonic on the system create additional voltage drops. Office equipment, mainly used in electrical facilities, uninterrupter power supplies and gas-discharge lamps are produced in the third harmonic component. As far as possible, three phases of these devices should be selected. The third harmonic components are zero on three-phase converters.

Harmonics have only been around in sufficient quantities over the last few decades since the introduction of electronic drives for motors, fans and pumps, power supply switching circuits such as rectifiers, power converters and thyristor power controllers as well as most non-linear electronic phase controlled loads and high frequency (energy saving) fluorescent lights. This is due mainly to the fact that the controlled current drawn by the load does not faithfully follow the sinusoidal supply waveforms as in the case of rectifiers or power semiconductor switching circuits.

5. Conclusion

(1) The increase in the use of power electronics-based devices every day causes an increase in harmonic components in the energy system. Because the characteristics of the switching elements used in these devices are nonlinear. As a result, the harmonic distortion increases for current or voltage in the power system. In electrical power systems, harmonic distortion often affects the entire system at great distances from the original sources.

(2) Harmonics are pollution in power systems. Today, with the increase of the use of static converters, this pollution rate is increasing day by day. Passive filters are widely used to filter harmonic components, because it has a simple structure, low cost, high reliability, etc. Total harmonic distortion, which was measured before filtering 9,517% and this value was reduced to 4,351% after filtering.

(3) Passive filters are connected between source and load. They destroy harmonic components other than the fundamental frequency. It consists of a combination of series connected capacitor and inductance. In some cases, ohmic resistance can also be connected. In order to filter the harmonic components in the power system, 2 single tuned filters, 1 double tuned filter and 1 second-order damped filter were used.

(4) Harmonics in the electrical power distribution system combine with the fundamental frequency (50Hz or 60Hz) supply to create distortion of the voltage and/or current waveforms. This distortion creates a complex waveform made up from a number of harmonic frequencies which can have an adverse effect on electrical equipment and power lines.

REFERENCES

- Dastfan, A., Yassami, H., Rafiei, M. R. (2014). Optimum Design of Passive Harmonic Filter by Using Game Theory Concepts. *Intelligent Systems in Electrical Engineering*. Vol. 4, No. 4, pp. 250-256
- El-Ela, A.A., Alam, S., El-Arwash, H. (2008). An Optimal Design of Single Tuned Filter in Distribution Systems, *Electric Power Systems Research* Vol. 78, No. 6, pp. 967-974
- Napoles, J., Leon, J.I., Portillo, R., Franquelo, L.G. (2010). Aguirre, M.A. Selective Harmonic Mitigation Technique for High-Power Converters. *IEEE Trans. Ind. Electron.* Vol. 57, pp. 2315–2323
- İzgi, E., Ay, S., (2016). A parametric study on privatization revenues of the electricity distribution companies in Turkey, *Turkish Journal Of Electrical Engineering And Computer Sciences*, Vol. 24, No.3, pp.979-993
- Bayindir, R., Sağıroğlu, Ş., Çolak, İ., Alper Ö. (2009). Investigating Industrial Risks Based on Information Security for Observerable Electrical Energy Distribution System and Suggestions. *Journal of the Faculty of Engineering and Architecture of Gazi University*. Vol. 24, No. 3, pp.715-723
- Rashid, H.M. (2014). *Power Electronics, Circuits, Devices, and Applications*, Perason Press
- Adak, S., Cangı, H. (2016). Analysis and Simulation Total Harmonic Distortion of Output Voltage Three Level Diode Clamped Inverter in Photovoltaic System, *Bitlis Eren University, Journal of Science*. Vol. 5, No. 2, pp. 242-253
- Kocatepe, C., Uzunoğlu, M., Yumurtacı, R., Karakaş, A., Arıkan, O., (2003). *Harmonics in Electrical Plants*, Birsen Publication, İstanbul
- <https://www.endoks.com/en/service/passive-harmonic-filtering-systems/>
- Diwan, S.P., Inamdar, H.P. , Vaidya, A. P. (2011). Simulation Studies of Shunt Passive Harmonic Filters: Six Pulse Rectifier Load - Power Factor Improvement and Harmonic Control. *ACEEE International Journal on Electrical and Power Engineering*. Vol. 2, No. 1, pp. 1-6
- Ozdemir, A., Ferikoglu, A. (2004). Low cost mixed-signal microcontroller based power measurement technique - *IEE Proceedings-Science Measurement And Technology* - Vol.151, pp. 253-258 - ISSN : 1350-2344 - DOI : 10.1049/ip-smt:20040242 - WOS:000222969400004.
- Yilmaz, A. S., Alkan, A., Asyali, M. (2008). Applications of parametric spectral estimation methods on detection of power system harmonics, *Electric Power Systems Research*. Vol. 7, No. 4, pp. 683-693
- Rustemli, S., Cengiz, M.S. (2016). Passive Filter Solution and Simulation Performance in Industrial Plants. *Bitlis Eren University J Science and Technolog*. Vol. 6, No. 1, pp. 39-43

- Memon, Z.A., Uquaili, M. A. and Unar, M. A. (2012). Harmonics mitigation of industrial power system using passive filters. *Mehran University Research Journal of Engineering and Technology*. Vol. 31, No. 2, pp. 355-360
- Cho, Y. S. (2009). Analysis and Design of Passive Harmonic Filter for a Three-phase Rectifier, *KIEE Magazine*. Vol. 58, No. 3, pp. 316-322
- Ayan, K., Arifoğlu, U. (2013). Optimizing reactive power flow of HVDC systems using genetic algorithm - *International Journal of Electrical Power & Energy Systems*. Vol. 55, No. 2, pp.1-12 - ISSN : 0142-0615 - DOI : 10.1016/j.ijepes
- Anooja, C. L., Leena, N. (2013). Passive Filter For Harmonic Mitigation of Power Diode Rectifier And SCR Rectifier Fed Loads. *International Journal of Scientific & Engineering Research*. Vol. 4, No. 6, pp. 310-317
- Thoma, M., Blooming, P.E., Dael J., Camovale P.E. Application of IEEE Std 519-1992. Harmonic Limits.
- Sekkel, M., Tarkan, N. (2013). Development of a novel method for optimal use of a newly designed reactive power control relay. *International Journal of Electrical Power and Energy Systems*, Vol. 44, No. 2, p. 736-742
- Srivastava, K. K., Shakil, S., Pandey, A. V. (2013). Harmonics & Its Mitigation Technique by Passive Shunt Filter. *International Journal of Soft Computing and Engineering (IJSCE)* 57(1), pp. 2231-2307
- Chen, C.I., Chen, Y.C. (2014). Comparative Study of Harmonic and Interharmonic Estimation Methods for Stationary and Time-Varying Signals, *IEEE Transactions on Industrial Electronics*, Vol. 61, No. 1, pp. 397-404
- <https://electrical-engineering-portal.com/harmonic-filters>
- Mohan, N., Undeland, T. R., Robbins W.P. (2003). *Power Electronics. Converters, applications and design*. John Wiley & Sons.
- Osigwe, C., Thévenin Equivalent of Solar Cell Mode, Minnesota State University, Mankato, Minnesota, Theses, Dissertations, December 2019
- Vlahinic, S., Brnobic, D. (2009). Vucetic, D., Measurement and Analysis of Harmonic Distortion in Power Distribution Systems, *Electric Power Systems Research*. Vol. 79, No. 7, pp. 1121-1126

İLGİLİ MAKAMA

“*Gece Kitaplığı Yayınevi*”, Üniversitelerarası Kurul Başkanlığı (ÜAK)’nın Kasım 2019 Dönemi Doçentlik Başvuru Şartları’nda belirtilmiş tanıma göre “Tanınmış Uluslararası Yayınevi” statüsündedir. ÜAK söz konusu tanımı; “Uluslararası Yayınevi: En az dört yıl uluslararası düzeyde düzenli faaliyet yürüten, yayımladığı kitaplar Yükseköğretim Kurulunca tanınan sıralama kuruluşlarınca belirlenen dünyada ilk 500'e giren üniversite kütüphanelerinde kataloglanan ve aynı alanda yabancı dilde farklı yazarlara ait en az 20 kitap yayımlamış yayınevdir” şeklinde ifade etmiştir (<http://www.uak.gov.tr/?q=node/85#2018N>). Aynı zamanda akademisyen yazarlarımızca yayınevimize sıklıkla başvurulduğu üzere, “Akademik Teşvik Ödeneği” yönetmeliğinde belirtilen tanıma göre beş (5) yıl şartını sağlıyor olup, kurulduğu 2008 yılından itibaren uluslararası düzeyde, düzenli basım ve 20’ den fazla ülkede dağıtım faaliyetlerini yürütmektedir.

Yayınevimiz Ocak / 2020 tarihi itibarıyla “**2405 yerli**” ve “**482 yabancı**” yazar tarafından kaleme alınmış 2887 adet kitap yayımlamıştır. Yayınevimiz tarafından yayımlanan kitaplar *Princeton University, Columbia University, Harvard University, Oxford University, Yale University, Halle Wittenberg University, Toronto University, Royal Danish Library, Biblioteque Nationale de France, British Library, Standford University, California University, Duke University, Chicago University ve Library of Congress-U.S.A.* gibi dünyanın önde gelen üniversite ve kamu kütüphanelerinin kataloglarında yer almaktadır.

Ek Liste 1’ de yayınevimizce yayımlanan ve ülkemiz dışında bilinen / tanınmış çeşitli üniversite kütüphanelerinin kataloglarında yer alan kitaplarımız sıralanmıştır. **Ek Liste 2’** de yayınevimiz tarafından T.C. Üniversitelerarası Kurul Başkanlığınca belirlenmiş doçentlik temel alanlarına göre yayımlanmış bazı kitap listelerimiz yer almaktadır. **Ek Liste 3’**te ise “Yayınevi Akademik Editör Havuzu” listemiz tarafınıza sunulmuştur.

Eda ALTUNEL
Genel Yayın Yönetmeni

GECE KİTAPLIĞI
Yaşam HIZ
Fevzi Çakmak 1 Sok. No: 22/A
Tel: 0312 384 80 40 Kızılay/ANKARA
Mithatpaşa V.D. 491 295 31026

Fevzi Çakmak 1 Sok. No: 22/A 06420, Kızılay / Çankaya, Ankara, TÜRKİYE. +90 541 765 47 07

Web: www.gecekitapligi.com

e-posta: gecekitapligiakademi@gmail.com

NO	YAZAR	KİTAPIN ADI	BULUNDUĞU KÜTÜPHANE VE ÜLKE	KÜTÜPHANE KATALOG NO
1	Abdülkerim Dinç	Gagauzlara Dair	Princeton Üniversitesi Kütüphanesi, ABD	Recap » DK509.35.G25 D56 2014
2	Adnan Yıldız	Ordu Tarihi Yazıları	Columbia Üniversitesi Kütüphanesi, ABD	DS51.072 Y54 2014g
3	Gürhan Kırilen	Eski Çinin Ötekisi Türkler	Princeton Üniversitesi Kütüphanesi, ABD	Recap » DS26 .K57 2014
4	İbrahim Rahim Üngör	İslahiye Ve Çevresinin Eskiçağ Tarihi	Princeton Üniversitesi Kütüphanesi, ABD	DS51 .072 B37 2014
5	İbrahim Üngör	İslahiye Ve Çevresinin Eskiçağ Tarihi	Harvard Üniversitesi Kütüphanesi, ABD	14223414
6	Mithat Baş	İlkçağdan Günümüze Ordu Tarihi	Halle Wittenberg Üniv. Kütüphanesi, Almanya	14 SA 5827
7	Abdulkadir Gül	Antakya : Kültürlerin Kaynaştığı Şehir	Princeton Üniversitesi Kütüphanesi, ABD	Recap » DS51.A645 G85 2014
8	Cavit Akın	Giresun Tarihi Ve Kültürel Değerleri	Toronto Üniversitesi Kütüphanesi, Kanada	DS51 .G57 A54 2014
9	Adil Aykut Biçer	Klasik Dönem Osmanlı Kara Ordusunda Sefer Organizesi	Harvard Üniversitesi Kütüphanesi, ABD	14223240
10	A Nursen Durdağı	Çeviri Yoluyla Kavram Aktarımı Sürecinde Üniversitenin Rolü : "Felsefe Kavramları Örneğinde"	Halle Wittenberg Üniv. Kütüphanesi, Almanya	18 SA 1955
11	Abanoz Küçük	Giresun Çepnileri : Tarih--Halk Edebiyatı--Halkbilimi	Harvard Üniversitesi Kütüphanesi, ABD	14060423
12	Abdulkadir Tekin	İslâma Göre Ses Ve Mûsikî Sanatı	Harvard Üniversitesi Kütüphanesi, ABD	14980684
13	Abdülkadir Tekin	İslâma Göre Ses Ve Mûsikî Sanatı	Princeton Üniversitesi Kütüphanesi, ABD	Recap » BP190.5.M8 T44 2016
14	Abdulkadir Yılmaz	Talim Ve Terbiye Kurul Kararlarında Teftiş/Denetim (1926--2017)	Princeton Üniversitesi Kütüphanesi, ABD	
15	Abdülkerim Dinç	Gagauzlara Dair	Princeton Üniversitesi Kütüphanesi, ABD	Recap » DK509.35.G25 D56 2014
16	Abdulkerim Paşa	Abdülkerim Paşa'nın Rusya Sefâreti Ve Sefâretnâmesi : 1775--1776	Oxford Üniversitesi Kütüphanesi, İngiltere	20318993
17	Abdullah Bay	Abdülkerim Paşa'nın Rusya Sefâreti Ve Sefâretnâmesi : 1775--1776	Princeton Üniversitesi Kütüphanesi, ABD	Recap » DK168 .A238 2014g
18	Abidin Temizer	Glimpses Of Balkans : Cultural History	Princeton Üniversitesi Kütüphanesi, ABD	DR23 .G55 2017
19	Adem Balkaya	Âşık Tarzı Şiir Geleneğinde Divani Türü	Princeton Üniversitesi Kütüphanesi, ABD	Recap » PL217 .B35 2014
20	Adem Dursun	Fuaye / Söyleşiler	Princeton Üniversitesi Kütüphanesi, ABD	Recap » PN2959.7 .D87 2016
21	Ahmet İnanır	Ibn Kemal'in Fetvaları Işığında Osmanlı'da İslâm Hukuku	Princeton Üniversitesi Kütüphanesi, ABD	DK254 .N4 U63 2014
22	Ahmet İnanır	Ibn Kemal'in Fetvaları Işığında Osmanlı'da İslâm Hukuku	Oxford Üniversitesi Kütüphanesi, İngiltere	19885773
23	Ahmet İnanır	Ibn Kemal'in Fetvaları Işığında Osmanlı'da İslâm Hukuku	Princeton Üniversitesi Kütüphanesi, ABD	Recap » KKK192 .I53 2014

24	Ahmet Özgür Güvenç	Yaşar Kemal'in İnce Memed Romanı Üzerine Oluşumsal Yapısalcı Bir İnceleme	Princeton Üniversitesi Kütüphanesi, ABD	Recap » PL248.Y275 I533 2014
25	Ahmet Serkan Ece, Ali Sevgi, Koral Çalgan	Çağdaş Türk Bestecilerinin Viyola Eserleri	Harvard Üniversitesi Kütüphanesi, ABD	14129775
26	Alemdar Yalçın, Hacı Yılmaz	Koreşanlılar : "Anadolu"da Bir Oymağın Kültürel Kodları"	Princeton Üniversitesi Kütüphanesi, ABD	Recap » NB1880.T9 Y35 2017
27	Ali Kumaş	İslâm Hukukunda Sorumlu Olmanın Temeli (İstitâat)	Harvard Üniversitesi Kütüphanesi, ABD	14671975
28	Ali Kumaş	İslâm Hukukunda Sorumlu Olmanın Temeli (İstitâat)	Harvard Üniversitesi Kütüphanesi, ABD	14671975
29	Alimcan İnyet	Uygur Halk Destan/Hikâyeleri Üzerinde İncelemeler	Princeton Üniversitesi Kütüphanesi, ABD	Recap » GR268.U5 I62 2014
30	Arif Aytekin	İsmet Özel Versus Dünya Sistemi : Ulus--Devlet Ve Küreselleşme Bağlamında İsmet Özel'in Toplum Millet Ve Vatan Tasavvuru	Princeton Üniversitesi Kütüphanesi, ABD	15257198
31	Arif Erman	Türklerin Gerçek Tarihi : Türk Dili Ve Tarihi Üzerine Tezler	Princeton Üniversitesi Kütüphanesi, ABD	Recap » PL21 .E75 2017
32	Arif Erman	Türklerin Gerçek Tarihi : Türk Dili Ve Tarihi Üzerine Tezler	Princeton Üniversitesi Kütüphanesi, ABD	Recap » PL21 .E75 2017
33	Ayfer Uz	Köy Enstitülerinde Resim--İs	Halle Wittenberg Üniv. Kütüphanesi, Almanya	14 SA 8520
34	Ayla Torun	Sinema--Kent İlişkisinde İstanbul: İlk Yıllarından Bugüne Türk Sineması'nda İstanbul'un Görünümü		
35	Ayşe Pul	Yeniçeri Ocağı'nın 68. Ortası : Turnacıbaşılık	Princeton Üniversitesi Kütüphanesi, ABD	DR448 .P85 2016
36	Banu Mustafa Dönmez.	Alevi Müzik Uyanışı	Princeton Üniversitesi Kütüphanesi, ABD	Recap » ML3197 .M87 2014
37	Bekir Tamer Gökalp	Türkiye'de Faiz Koridoru Uygulaması Ve BİST Endekslerine Etkileri	Halle Wittenberg Üniv. Kütüphanesi, Almanya	17 SA 6612
38	Berna Fildiş	Osmanlı'dan Cumhuriyet'e Bir Entelektüel Mehmed Fuad Köprülü	Princeton Üniversitesi Kütüphanesi, ABD	BP195.A74 K37 2014
39	Betül Yazar	Etnomüzikolojik Çerçeve de İstanbul Ermeni Apostolik Kilisesi Müzik Kültürü	Princeton Üniversitesi Kütüphanesi, ABD	Recap » ML3190 .Y37 2016
40	Biol Öztürk	Kazım Koyuncu	Princeton Üniversitesi Kütüphanesi, ABD	Recap » ML420.K69 O97 2017

41	Çağdaş Demren	Kahvehane Erkekliği : "Ankara'da Bir Gecekondu Mahallesi Örneği"	Princeton Üniversitesi Kütüphanesi, ABD	Recap » TX910.T8 D45 2014
42	Çağdaş Demren	Kahvehane Erkekliği : "Ankara'da Bir Gecekondu Mahallesi Örneği"	Harvard Üniversitesi Kütüphanesi, ABD	14365117
43	Can Şen	Vurma Kazmayı Ferhâd : Âsaf Hâlet Çelebi'nin Şiirlerinde Şahıslar	Princeton Üniversitesi Kütüphanesi, ABD	Recap » PL248.C42 Z83 2014
44	Can Şen	Vurma Kazmayı Ferhâd : Âsaf Hâlet Çelebi'nin Şiirlerinde Şahıslar	Princeton Üniversitesi Kütüphanesi, ABD	Recap » PL248.C42 Z83 2014g
45	Cavit Akın	Türkiye'de Yemek Kültürümüz : Giresun : Doğu Karadeniz Bölgesi'nde, Giresun'da Kırsaldan Şehir Kültürüne	Harvard Üniversitesi Kütüphanesi, ABD	14060312
46	Cavit Akın.	Giresun Tarihi Ve Kültürel Değerleri	Princeton Üniversitesi Kütüphanesi, ABD	Recap » DS51.G57 A54 2014
47	Cemalettin Yavuz	Alevi--Bektaşî Geleneğinde Dövazınamlar	Harvard Üniversitesi Kütüphanesi, ABD	14129963
48	Cihan Çakmak	Kazan--Tatar Türkçesi İle Türkiye Türkçesinde Görülen Yalancı Eş Değer Kelimele	Princeton Üniversitesi Kütüphanesi, ABD	Recap » PL73.4 .C34 2016
49	Cihat Aydoğmuşoğlu	Safevî Devleti Tarihi (1501--1736)	Toronto Üniversitesi Kütüphanesi, Kanada	DS292 .A93 2015
50	Coşkun Özbucak	Ordu'dan İnsan Manzaraları : Röportajlar	Princeton Üniversitesi Kütüphanesi, ABD	Recap » DS51.O72 O92 2015
51	Cumaali Bayram	Karamanoğulları Tarihi	Princeton Üniversitesi Kütüphanesi, ABD	Recap » DS51.K144 B39 2016
52	Davut Yiğitpaşa	Doğu Anadolu Geç Demir Çağı Kültürü	Princeton Üniversitesi Kütüphanesi, ABD	Recap » DS51.E27 Y52 2016
53	Derviş Paşa	Tahdîd--I Hudûd--I İraniyeye Me'mûr Derviş Paşa Layihası	Halle Wittenberg Üniv. Kütüphanesi, Almanya	16 SA 4568
54	Derya Erol	Terra Sigilata Ve Late Roman Ware Seramik Grupları	Princeton Üniversitesi Kütüphanesi, ABD	Recap » NK3850 .E76 2014
55	Derya Geçili	Osmanlı Devleti'nde Çarkçı Yetiştiren Kurumlar	Princeton Üniversitesi Kütüphanesi, ABD	Recap » VM728.S57 G43 2017
56	Derya Uzun Aydın	Türk Heykel Sanatı Ve İlk Heykeltıraşlar	Princeton Üniversitesi Kütüphanesi, ABD	Recap » NB864 .U98 2014
57	Derya Uzun Aydın	Türk Heykel Sanatı Ve İlk Heykeltıraşlar	Princeton Üniversitesi Kütüphanesi, ABD	Recap » NB864 .U98 2014g
58	Doğan Kaplan	Safeviler Ve Kızılbaşlık : Aleviliğin Tarihsel Temelleri	Princeton Üniversitesi Kütüphanesi, ABD	BP195.A74 K37 2014
59	Doğan Kaplan	Safeviler Ve Kızılbaşlık : Aleviliğin Tarihsel Temelleri	Princeton Üniversitesi Kütüphanesi, ABD	BP195.A74 K37 2014
60	Doğan Kaplan.	Safeviler Ve Kızılbaşlık : Aleviliğin Tarihsel Temelleri	Princeton Üniversitesi Kütüphanesi, ABD	BP195.A74 K37 2014

61	Editörler/Editors Abidin Temizer, Rıdvan Karapınar	I. Uluslararası Multidisipliner Çalışmaları Sempozyumu (ISMS) (Bildiri Kitabı) = I. International Symposium On Multidisciplinary Studies (ISMS)	Princeton Üniversitesi Kütüphanesi, ABD	Recap » AZ186 .U47 2016
62	Emin Gül Recep	Şia Tefsirlerinde Hadis Kullanımı El--Ayyâşî Örneği	Harvard Üniversitesi Kütüphanesi, ABD	14775949
63	Emine Öztürk	İlm--I İktisâd / Muslihiddin Adil Taylan ; Transkripsiyon	Princeton Üniversitesi Kütüphanesi, ABD	Recap » HB180.T8 M87 2017
64	Emine Öztürk	Türkiye'de Aile İçi Şiddet	Halle Wittenberg Üniv. Kütüphanesi, Almanya	17 SA 5844
65	Emine Öztürk	Feminist Teori Ve Tarihsel Süreçte Türk Kadını	Halle Wittenberg Üniv. Kütüphanesi, Almanya	17 SA 5839
66	Emine Öztürk	Son Dönem Osmanlı Aydınlarından Muslihiddin Adil Taylan'ın Toplum Ve Din Görüşü	Princeton Üniversitesi Kütüphanesi, ABD	Recap » KXX110.M87 O98 2017
67	Emine Sonal	John Steinbeck Ve Yaşar Kemal'in Eserlerinde		
68	Emrah Çetin	İstatistiğin Kurumsal Tarihi : Osmanlı'dan Cumhuriyet'e	Halle Wittenberg Üniv. Kütüphanesi, Almanya	17 Sa 6612
69	Emre Balıkcı	Yeter! Söz Demokratların	Princeton Üniversitesi Kütüphanesi, ABD	Recap » DR590 .E34 2016
70	Erdem Can Öztürk	Lâmi'î Çelebi'nin Şevâhidü'n--Nübüvve Tercümesi : (İnceleme-- Tenkitli Metin--Dizin)	Princeton Üniversitesi Kütüphanesi, ABD	Recap » BP166.55 .J369 2015
71	Erdem Çanak	Atatürk Ve Adana	Coolumbia Üniversitesi Kütüphanesi, ABD	DS51.A2 C262 2014g
72	Erdem Sarıkaya	Eski Türk Edebiyatında Rüya : (Başlangıçtan XV. Asra Kadar)	Princeton Üniversitesi Kütüphanesi, ABD	Recap » PL220 .S374 2017
73	Eren Fehmi Eroğlu	Türkistan'dan Uzak Diyara Beşkaza Fethiye Ve Seydikemer Yörükleri	Princeton Üniversitesi Kütüphanesi, ABD	Recap » DS51.F48 E76 2015
74	Esin Ulu	Kültürlerarası Hümanizmanın Müzikteki Simgesi : Çağdaş İki Oratoryo: Adnan Saygun'un Yunus Emre Ve Michael Tippett'in Zamanımızın Çocuğu Oratoryolarının Yapı, Stil Ve İçerik Yönlerinden Karşılaştırmalı İncelemesi	Princeton Üniversitesi Kütüphanesi, ABD	Recap » ML3207 .U58 2014

75	Fatih Ünal	XVIII. Yüzyıl Türk--Rus İlişkilerinde Neplüjev :(İstanbul'dan Orenburg'a)	Toronto Üniversitesi Kütüphanesi, Kanada	DK254 .N4 U63 2014
76	Fatih Ünal	XVIII. Yüzyıl Türk--Rus İlişkilerinde Neplüjev :(İstanbul'dan Orenburg'a)	Princeton Üniversitesi Kütüphanesi, ABD	Recap » DK254.N4 U63 2014
77	Fatih Usluer Vd.	Hurufilik Bilgisi : Ferišteoğlu Abdülmecid Külliyyatı	Oxford Üniversitesi Kütüphanesi, İngiltere	19876752
78	Ferhat Korkmaz	Başlangıcından Cumhuriyet'e Yeni Türk Şiirinde Melankoli	Princeton Üniversitesi Kütüphanesi, ABD	Recap » PL220 .K67 2015
79	Ferhat Korkmaz	Başlangıcından Cumhuriyet'e Yeni Türk Şiirinde Melankoli	Princeton Üniversitesi Kütüphanesi, ABD	Recap » PL220 .K67 2015g
80	Feridun Tekin	Çağatay Edebiyatının İki Büyük Siması Münis Ve Âgehî	Princeton Üniversitesi Kütüphanesi, ABD	Recap » PL53.5 .T44 2016
81	Fethi Nas	Ortadoğu'da Göç Dinamikleri : Mardin'den Beyrut'a Bir Göç Araştırması	Princeton Üniversitesi Kütüphanesi, ABD	Recap » HV640.5.A6 N37 2017
82	Fevzi Rençber	Hakk Muhammed Ali Aşkı : "Adıyaman Alevileri"	Princeton Üniversitesi Kütüphanesi, ABD	Recap » BP195.A74 R46 2014
83	Funda Masdar Kara	Türk Sinemasında Orhan Kemal	Princeton Üniversitesi Kütüphanesi, ABD	14060401
84	Gavzi Ozansoy, Zehra D. Eroğlu	Bir Tasfiye Bin Nedâmet : 1940 Türk Edebiyatında Tasfiye Hareketi, 1960 Edebî Röportajlar Ve Nedâmetle Olgunlaşan Bir Ömür	Princeton Üniversitesi Kütüphanesi, ABD	Recap » PL204.5.O92 A5 2015
85	Göktürk Ömer Çakır	Küçük Asya Sikkelerinde Grifon Tasvirleri	Princeton Üniversitesi Kütüphanesi, ABD	Recap » CJ161.A6 C34 2014
86	Gül Erbay Aslıtürk	20. Yüzyılda Türk Seramik Sanatı	Harvard Üniversitesi Kütüphanesi, ABD	(HD) NK4129 .A85 2014
87	Gülay Şahin	Zekî Dîvânı : (İnceleme--Metin--Dizin)	Princeton Üniversitesi Kütüphanesi, ABD	Recap » PL248.Z444 2014
88	Gülseren Özdemir	İhsan Oktay Anar'ın Romanları	Princeton Üniversitesi Kütüphanesi, ABD	Recap » PL248.A548 Z63 2014
89	Gülseren Özdemir	İhsan Oktay Anar'ın Romanları	Princeton Üniversitesi Kütüphanesi, ABD	Recap » PL248.A548 Z63 2014g
90	Gürhan Kırilen	Eski Çinin Ötekisi Türkler	Princeton Üniversitesi Kütüphanesi, ABD	Recap » DS26 .K57 2014
91	Gürhan Kırilen	Bilge Kağan Zamanında Sarı Irmak Kıyısında Türk		
92	Gürhan Kırilen	Eski Çinin Ötekisi Türkler	Princeton Üniversitesi Kütüphanesi, ABD	Recap » DS26 .K57 2014
93	Hakan Kurt	Türk Antropoloji Mecmuası Transkripsiyonu (1925--1928)	Princeton Üniversitesi Kütüphanesi, ABD	Recap » GN46.T8 K978 2017

94	Halil Celep	Sofyalı Bâli Efendi : Hayatı, Eserleri Ve Tasavvuf Anlayışı	Princeton Üniversitesi Kütüphanesi, ABD	Recap » BP80.S639 C45 2014
95	Halil Celep	Sofyalı Bâli Efendi : Hayatı, Eserleri Ve Tasavvuf Anlayışı	Princeton Üniversitesi Kütüphanesi, ABD	Recap » BP80.S639 C45 2014
96	Hamidreza Sohrabiabad	Hemedan (İran) Türk Dönemi Yapılarındaki İnşa, Usta Ve Onarım Kitabeleri	Princeton Üniversitesi Kütüphanesi, ABD	14713654
97	Hasan Babacan, İsmail Avcı	Balkanlar'da Türk Dili	Princeton Üniversitesi Kütüphanesi, ABD	Recap » PL198.B3 B355 2016
98	Hasan Taşkıran	Selçukluların Sürgün Evlatları : Yabgulular	Princeton Üniversitesi Kütüphanesi, ABD	Recap » DS27 .T38 2016
99	Hikmet Pala	Ordu Şayib (Güzelyurt) Köyü Tarihi	Princeton Üniversitesi Kütüphanesi, ABD	Recap » DS51.G893 P34 2017
100	Huriye Altuner	Türkiye'de Ortaöğretim Müfredatındaki Sanat Tarihi Derslerinin Tarihi Süreç İçinde Değerlendirilmesi Ve Avrupa Birliği Ülkeleriyle Karşılaştırılması	Harvard Üniversitesi Kütüphanesi, ABD	14223212
101	Hüseyin Dâniş, Servet Tiken	Kârvân--I 'Ömr Ve Kitap Dışında Kalan Şiirler	Princeton Üniversitesi Kütüphanesi, ABD	Recap » PL248.H82 K37 2015
102	İkbâl Vurucu	Türkiye'nin İntiharı : Demokratik Özerklik, Müzakereler Ve Anadilde Eğitim	Harvard Üniversitesi Kütüphanesi, ABD	14060493
103	İlker Mutlu	Bir Mühendisin Sinema Eğitimi	Halle Wittenberg Üniv. Kütüphanesi, Almanya	17 Sa 5862
104	İlknur Tatar Kırılmış	Türk Edebiyatında Tarihi Romanlar : (Türk Tarihi İle İlgili, 1961--1965)	Oxford Üniversitesi Kütüphanesi, İngiltere	PL223.5.H57 K57 KIR 2015
105	İsmail Avcı	Türk Edebiyatında İskendernâmeler Ve Ahmed--I Rıdvân'ın İskendernâmesi	Princeton Üniversitesi Kütüphanesi, ABD	Recap » PL217 .A935 2014
106	İsmail Doğan, Abdulkadir Öztürk	Dünya Dilleri Ve Türkçe	Princeton Üniversitesi Kütüphanesi, ABD	Recap » PL115 .D64 2016
107	İsmail Doğan, Derya Yeşim Benli.	Bulat Köyü Örneğinde Batı Trakya (Gümülcine) Ağzı	Princeton Üniversitesi Kütüphanesi, ABD	Recap » PL198.G84 D63 2014
108	İbrahim Kaplan	Kelâm Açısından Tahrif Ve Kutsal Kitapların Mevsûkiyeti Meselesi	Harvard Üniversitesi Kütüphanesi, ABD	14918330
109	İlhan Ekinci	Halk, Ayan Ve Devlet Tanzimat Devri Ordu Kazası	Princeton Üniversitesi Kütüphanesi, ABD	Recap » DS51.O65 E35 2016

110	İsmail Doğan, Derya Yeşim Benli	Bulat Köyü Örneğinde Batı Trakya (Gümölcine) Ağzı	Princeton Üniversitesi Kütüphanesi, ABD	Recap » PL198.G84 D63 2014g
111	İsmet Sarıbal	Osmanlı Tarihi / Fatihli Mehmed Tevfik Paşa	Princeton Üniversitesi Kütüphanesi, ABD	Recap » DR486 .M44 2017
112	János Komáromi	Imre Thököly'nin Kâtibi János Komáromi'nin Türkiye Günlükleri	Oxford Üniversitesi Kütüphanesi, İngiltere	20723062
113	Kadir Yılmaz	Türkiye'de Ulusal Yayın Yapan Televizyon Kanalı Yöneticilerinin Yayın Politikalarını Oluşturmadaki Rollerini	Harvard Üniversitesi Kütüphanesi, ABD	14223430
114	Kerem Yıldırım Şimşek	Ekstrem Spor Tüketim Güdülerinin Türkiye'deki Ekstrem Spor Katılımcılarının Algıladıkları Değere, Algıladıkları Tatmine Ve Davranışsal Niyetlerine Etkisi	Princeton Üniversitesi Kütüphanesi, ABD	Recap » GV749.7 .S55 2014
115	Macit Balık	"Hayat İle Şiir" : Süreyya Berfe'nin Şiir Dünyası	Princeton Üniversitesi Kütüphanesi, ABD	Recap » PL248.B445 Z62 2017
116	Mehmet Akif Kara	Kuramdan Alana İnşaatla Göçmen Olmak	Harvard Üniversitesi Kütüphanesi, ABD	14807943
117	Mehmet Ali Çelik	Politik Sinema : Türk Kimliğinin İnşasında Türk Sinemasının Rolü-- Tarihi Filmler Ve Cüneyt Arkın Örneği	Halle Wittenberg Üniv. Kütüphanesi, Almanya	16 SA 4480
118	Mehmet Baştürk	Cumhuriyet Dönemi Türk Romanında Aydınlar (1950--1970)	Oxford Üniversitesi Kütüphanesi, İngiltere	PL223.B378 BAS 2016
119	Mehmet Kaygana	Ütopyadan Distopyaya Yakup Kadri'nin Ankara'sı	Princeton Üniversitesi Kütüphanesi, ABD	Recap » PL248.K3 Z73 2014
120	Mehmet Ziya Kantaş	Osmanlıda Seyahatname Yazarlığı Ve Ümit Burnu Seyahatnamesi	Toronto Üniversitesi Kütüphanesi, Kanada	DR416 .K36 2014
121	Melda Medine Güleç	Sosyolojik Açından Türk Halk Dindarlığı : (Espiye Örneği)	Halle Wittenberg Üniv. Kütüphanesi, Almanya	17 SA 6551
122	Melda Medine Güleç	Sosyolojik Açından Türk Halk Dindarlığı : (Espiye Örneği)	Princeton Üniversitesi Kütüphanesi, ABD	Recap » BP63.T8 G84 2017
123	Mesut Can	İslam Tarihi Ve Medeniyetinde Merv Şehri : (Fethinden Tâhirîler Dönemine Kadar)	Princeton Üniversitesi Kütüphanesi, ABD	Recap » DK939.5.M47 C36 2017
124	Metin Hakverdioğlu	Tâlibî Ve Divançesi : Mir Hamza Nigârî'nin Son Takipçisi Tâlibî Hayatı Ve Eseri	Princeton Üniversitesi Kütüphanesi, ABD	Recap » PL248.T342 A6 2017

125	Mevlüt Kaya	Harava : Etimolojik Köken	Harvard Üniversitesi Kütüphanesi, ABD	14624439
126	Mithat Baş	Anadolu'nun Üç Tezenesi	Princeton Üniversitesi Kütüphanesi, ABD	Recap » ML385 .B37 2017
127	Mucize Ünlü	Kosova Vilayeti (1877--1912)	Toronto Üniversitesi Kütüphanesi, Kanada	DR2084 .U65 2014
128	Muhammet Vehbi Dereli	Osmanlı Dönemi Bediyyât Şairlerinden Âişe El--Bâûniyye Ve Peygamber Methiyeleri	Princeton Üniversitesi Kütüphanesi, ABD	Recap » PJ7760.B38 Z58 2014
129	Muhittin Çelik	Kaşkay Türkçesi Metinleri : Giriş -- Metinler --Seçme Sözlük -- Ekler	Princeton Üniversitesi Kütüphanesi, ABD	Recap » PL314.Z9 Q373 2014
130	Murat Şahin	Anadolu'nun Yitik Halkı Yezidiler	Princeton Üniversitesi Kütüphanesi, ABD	Recap » BL1595 S23 2015
131	Mustafa Öztoprak	Bediüzzamân Saîd Nursî'nin Hadis Anlayışı	Princeton Üniversitesi Kütüphanesi, ABD	Recap » BP136.8 .O98 2016
132	Mustafa Tarhan Yılmaz	Namık Kemal Ve Hürriyet Gazetesi (1868--1869)	Princeton Üniversitesi Kütüphanesi, ABD	PL248.N227 Z96 2015
133	Nagihan Baysal	Gelenek Ve Değişim Ekseninde Trabzon Halk Hekimliği Üzerine Bir Araştırma	Harvard Üniversitesi Kütüphanesi, ABD	14291048
134	Nazan Apaydın Demir	Ülkemizde Bitkisel Hammadde Kaynakları : (İlaç, Parfüm Ve Kozmetik Sektörleri İçin)	Halle Wittenberg Üniv. Kütüphanesi, Almanya	DE--599)GBV1015572448
135	Nazan Arısoy	Tomris'çe : "Üç Şairin Tek Şiiri"	Princeton Üniversitesi Kütüphanesi, ABD	Recap » PL248.U88 Z72 2017
136	Necat Keskin	Müzik, Anlatı, Kimlik : Tûr--Abdin'de Bir Anlatım Biçimi Olarak Mıtrıplık	Princeton Üniversitesi Kütüphanesi, ABD	Recap » ML3757.6 .K47 2016
137	Necdet Ekinci	Türkiye'de Çok Partili Düzene Geçişte Dış Etkenler	Harvard Üniversitesi Kütüphanesi, ABD	14060331
138	Necip Fazıl Duru	Enderunlu Sâmî Dîvânı : (Katledilen Babanın Şiirle İntikamı)	Halle Wittenberg Üniv. Kütüphanesi, Almanya	15 SA 308
139	Nermin Özsel	Evliya Çelebi'nin İzinde İstanbul'un Camileri : "Yüz Tarihi Cami"	Princeton Üniversitesi Kütüphanesi, ABD	NA5870.A1 O97 2016
140	Nesrin Güllüdağ	Kırımçak Türkçesi Grameri	Princeton Üniversitesi Kütüphanesi, ABD	Recap » PL66.1.G85 K47 2014
141	Nesrin Güllüdağ	Kırımçak Türkçesi Grameri	Harvard Üniversitesi Kütüphanesi, ABD	14060384
142	Nesrin Sis, Bekir Gökçe	Gülten Dayıoğlu'nun Çocuk Öyküleri	Princeton Üniversitesi Kütüphanesi, ABD	Recap » PL248.D336 Z86 2016
143	Nilgün Doğrusöz, Ali Ergur	Musikinin Asrî Prensi Ali Rifat Çağatay	Princeton Üniversitesi Kütüphanesi, ABD	Recap » ML419.C34 M87 2017
144	Nişan Antreasyan	Fındık Ziraati Ve Ticareti	Princeton Üniversitesi Kütüphanesi, ABD	Recap » HD9259.F53 A58 2015
145	Nuran Malta Muhaxheri	Türk Ve Arnavut Destanlarındaki Müşterek Unsurlar	Halle Wittenberg Üniv. Kütüphanesi, Almanya	18 SA 1957
146	Olca Kocatürk	Şairin İlmi İmtihanı : Nevî'nin Şiiri Üzerine Metinlerarası Bir İnceleme	Princeton Üniversitesi Kütüphanesi, ABD	Recap » PL248.N47 Z65 2015

147	Olga Kaplan	Osmanlı Döneminde Romence Basın (1829--1912)	University Of Texas Kütüphanesi, ABD	PN 5355 R86 K37 2016
148	Özer Şenödeyici	Fevzî Divanı (17. Yüzyıl)	Princeton Üniversitesi Kütüphanesi, ABD	Recap » PL248.F499 A6 2015
149	Özer Şenödeyici	Nâilî Divanı Sözlüğü : (Bağlamli Dizin Ve İşlevsel Sözlük)	Princeton Üniversitesi Kütüphanesi, ABD	Recap » PL248.N223 Z85 2015
150	Özer Şenödeyici	Harâb--Âbâd : Osmanlı Şiiri Üzerine Düşünceler	Princeton Üniversitesi Kütüphanesi, ABD	Recap » PL235 .S46 2014
151	Özer Şenödeyici	Gazeller Ve Güzeller Üzerine : Osmanlı Şiiri Şerhleri	Princeton Üniversitesi Kütüphanesi, ABD	Recap » PL235 S466 2014
152	Özer Şenödeyici	Gazeller Ve Güzeller Üzerine : Osmanlı Şiiri Şerhleri	Princeton Üniversitesi Kütüphanesi, ABD	Recap » PL235 .S466 2014g
153	Özer Şenödeyici, Ahmet Akdağ	Ulu Çınarın Gölgesinde Bir Şair : Meylî Ve Şiirleri	Princeton Üniversitesi Kütüphanesi, ABD	Recap » PL248.M494 A6 2014
154	Özlem Yaktı	Toplumsal Değişim Ve Dönüşüm Sürecinde Adana'nın Sosyo-- Ekonomik Ve Kültürel Yapısı (1923--1960)	Princeton Üniversitesi Kütüphanesi, ABD	15276857
155	Özlem Yaktı	Toplumsal Değişim Ve Dönüşüm Sürecinde Adana'nın Sosyo-- Ekonomik Ve Kültürel Yapısı (1923--1960)	Harvard Üniversitesi Kütüphanesi, ABD	15276857
156	Ömer Çakır Göktürk	Küçük Asya Sikkelerinde Grifon Tasvirleri	Harvard Üniversitesi Kütüphanesi, ABD	14223253
157	Rahim Cavadbeyli	Kürtlerin Kökeni Ve Mahabat Cumhuriyeti Gerçeği	Princeton Üniversitesi Kütüphanesi, ABD	Ecap » DS59.K86 C38 2016
158	Rahim Cavadbeyli	Kürtlerin Kökeni Ve Mahabat Cumhuriyeti Gerçeği	Princeton Üniversitesi Kütüphanesi, ABD	Ecap » DS59.K86 C38 2016
159	Ramazan Sarıççek	Gencîne--I Râz : (Inceleme -- Metin -- Dizin)	Princeton Üniversitesi Kütüphanesi, ABD	Recap » PL248.Y24 G46 2014
160	Ramazan Sarıççek	Sefine Şerhi : Metn--I Sefine--I Ahmed--I Dîvânî Şerh-- I Define--I Emced--I Nev-- Cüvânî / Bolulu Mustafa Bin İsmâil	Princeton Üniversitesi Kütüphanesi, ABD	Recap » PL248.A353 Z75 2014
161	Ruhattin Yazoğlu, Emine Öztürk	İlahiyat Öğrencilerinin Din & Dindarlık Algısı : (Kars Ve Bakü Örneği)	Princeton Üniversitesi Kütüphanesi, ABD	Recap » LB3609 .Y39 2017
162	Ruhattin Yazoğlu, Emine Öztürk.	İlahiyat Öğrencilerinin Din & Dindarlık Algısı :(Kars Ve Bakü Örneği)	Halle Wittenberg Üniv. Kütüphanesi, Almanya	17 SA 5216
163	Said Olgun	Arnavut Milliyetçiliğinin Gelişiminde Mektepler (1878--1912)	Princeton Üniversitesi Kütüphanesi, ABD	Recap » DR966 .O54 2016
164	Sait Okumuş	Amasyalı Nebzî Ve Divân'ı	Princeton Üniversitesi Kütüphanesi, ABD	Recap » PL248.N42 A6 2015
165	Salim Küçük, Mümin Ateş	Ordu Ağzı Söz Varlığı	Princeton Üniversitesi Kütüphanesi, ABD	Recap » PL198.O72 K82 2017
166	Saman Hashemipour	Life Into Literature : Orhan Pamuk In His Works	Princeton Üniversitesi Kütüphanesi, ABD	Recap » PL248.P34 Z74 2017
167	Şenay Sayın Alsan	Türk Mimari Süsleme Sanatında İkonografik Figürler	Princeton Üniversitesi Kütüphanesi, ABD	Recap » NA3565.A1 S29 2017

168	Serap Toprak	Balkanlarda İslamlaşma (XVI. Yüzyıl)	Princeton Üniversitesi Kütüphanesi, ABD	BP65.B28 T67 2016
169	Serdar Karakaya	Doksanlı Yıllarda Türk Sineması	Harvard Üniversitesi Kütüphanesi, ABD	14060406
170	Sevda Gökçe Sulak	Anlamdaş Kelimelerde Anlam Ve Kullanış Farklılıkları	Princeton Üniversitesi Kütüphanesi, ABD	Recap » PL186 .G64 2016
171	Şükran Tümer	Balkanlardan Mektup Var	Princeton Üniversitesi Kütüphanesi, ABD	
172	Süleyman Karacelil	Din Eğitimi Açısından Allah İnancı Temalı Çocuk Edebiyatı Ürünleri Üzerine Bir Araştırma	Harvard Üniversitesi Kütüphanesi, ABD	14223324
173	Süleyman Karacelil.	Din Eğitimi Açısından Allah İnancı Temalı Çocuk Edebiyatı Ürünleri Üzerine Bir Araştırma	Princeton Üniversitesi Kütüphanesi, ABD	Recap » BP44 .K37 2014
174	Suzan Canhasi	Mitroviça Türk Ağzı	Harvard Üniversitesi Kütüphanesi, ABD	14060349
175	Tuççe Erdal	Sözün Büyüsü : Fuzûlî Şiirlerinde Varyantlaşmat	Princeton Üniversitesi Kütüphanesi, ABD	Recap » PL248.F95 Z57 2017
176	Tuğrul Özcan	Sosyal Ve Ekonomik Etkileri Açısından, 1828--1829: Osmanlı--Rus Savaşı	Toronto Üniversitesi Kütüphanesi, Kanada	DR564 .O93 2014
177	Tuncay Ercan Sepetçioğlu	Etno Tarih : Üç Köy	Princeton Üniversitesi Kütüphanesi, ABD	Recap » DS66 .K39 2015
178	Ünal İmik	Türk Müziğine Yönelik Çeşitli Tespitler	Princeton Üniversitesi Kütüphanesi, ABD	Recap » ML345.T8 T874 2016
179	Ünal İmik, Sinan Haşhaş	Türkiye'de Müzisyen Olmak	Princeton Üniversitesi Kütüphanesi, ABD	Recap » ML385 .I44 2016
180	Yağmur Eylül Dönmez	Yeşilçam Filmlerinde Türk Sanat Müziği		
181	Yaser Snoubar	Uluslararası Öğrencilerin Sorunları Ve Sosyal Hizmet Gereksinimleri	Princeton Üniversitesi Kütüphanesi, ABD	
182	Yenal Ünal	Türkiye Cumhuriyeti Tarihi Araştırmaları	Princeton Üniversitesi Kütüphanesi, ABD	Recap » DR576 .U52 2017
183	Yıldray Bulut	Tarık Buğra'nın Romancılığı	Oxford Üniversitesi Kütüphanesi, İngiltere	20649796
184	Zafer Gölen, Abidin Temizer	Balkan Tarih	Princeton Üniversitesi Kütüphanesi, ABD	DR38.3.T9 B355 2016
185	Zahide Sungur	Demokrat Parti Dönemi Ekonomi Politikaları Ve Kalkınma Çabaları	Princeton Üniversitesi Kütüphanesi, ABD	Recap » HC492 .S96 2015
186	Zahide Sungur	Demokrat Parti Dönemi Ekonomi Politikaları Ve Kalkınma Çabaları	Princeton Üniversitesi Kütüphanesi, ABD	Recap » HC492 .S96 2015
187	Zülfiye Koçak Vd.	XIX. Yüzyılda Ahlat'ın Demografik Durumu	Princeton Üniversitesi Kütüphanesi, ABD	Recap » DS51.A232 O63 2016
188	Zülfiye Koçak Vd.	XIX. Yüzyılda Ahlat'ın Demografik Durumu Z	Princeton Üniversitesi Kütüphanesi, ABD	Recap » DS51.A232 O63 2016
189	Али Мертхан Дюндар ; Перевод Зульфии Шахин.	Тюркские Следы На Японской Земле : Культурное Наследие : Тюрко-- Татарские Мечети В Маньчжурии И Японии	Harvard Üniversitesi Kütüphanesi, ABD	15220589

EK LİSTE 2

EĞİTİM BİLİMLERİ

1	İlköğretim Birinci Kademe Öğrencilerinin Çizgisel Gelişimlerine Etki Eden Sosyo-Ekonomik Faktörler Araştırma Kitabı	Şükran Bulut	978-605-288-081-4
2	The Advancement Of Learning	Francis Bacon	978-605-180-966-3
3	Çeviri Yoluyla Kavram Aktarımı Sürecinde Üniversitelerin Rolü	A. Nursen Durdağı	978-605-288-044-9
4	Müzik Özel Öğretim Yöntemleri	Mustafa Hilmi Bulut	978-605-180-775-1
5	Merkezi ve Modern Eğitim Kapsamında Osmanlı Gayrimüslim Cemaat Ve Yabancı Okulları	Tuğrul Özcan	978-605-180-719-5
6	Klasik Gitara Uyarlanmış Türkü Kaynaklı Müziklerin Öğretim ve Seslendirim Sorunları	Editör: Ali Uçan, Sadık Yöndem	978-605-180-707-2
7	Kolay Farsça Öğrenme 1	Ahmad Jabbari	978-605-180-536-8
8	Okuma Eğitimi ve Okumaya Adanmışlık Modeli	Nesrin Sis, Gülşah Mete	978-605-180-484-2
9	Eğitimde Mutlak Başarı Yolları	Nazmi Avcı	978-605-180-228-2
10	Küreselleşme ve Eğitimde Yeni Değerler	Türkan Fırıncı Orman	978-605-324-453-0
11	Sanatçı ve Sanat Eğitimi Adnan Turani	Ekin Deveci	978-605-324-348-9
12	Eğitimde Alternatif Ölçme ve Değerlendirme	Yener Özen	978-123-456-113-3
13	Cumhuriyet Dönemi Aydın Kimliği ve Köy Enstitüleri	Emine Öztürk	978-605-180-892-5
14	Autobiography and Selected Essays	Thomas Henry Huxley	978-605-288-252-8
15	Siyasal İletişime Giriş	Necdet Ekinci	978-605-180-230-5
16	Kartvelolojiye Giriş	Jujuna Peikrişvili	978-605-180-677-8
17	Ergenlerde İnternet Bağımlılığı Depresyon ve Anksiyete Bozukluğu üzerinde Etkisi	Yekta Korkmaz	978-605-180-791-1
18	Çocuklarda Sabır Eğitimi	Süleyman Karacelil	978-605-494-265-7
19	Güzel Sanatlar Fakültelerinde Temel Sanat Eğitimi	Pınar Toktaş	978-605-494-298-5
20	Eğitimin Şifresi	Hüseyin Yorulmaz	978-605-180-644-0
21	Piyano Öğretimine Yeni Bir Yaklaşım	Ayça Avcı	978-605-288-633-5
22	Eğitim Bilimleri Alanında Akademik Çalışmalar	Kolektif	978-605-288-614-4
23	Academic Studies in Educational Sciences	Kolektif	978-605-288-605-2
24	A Catalogue of Play Equipment	Jean Lee Hunt	978-605-7892-45-4
25	A Catechism of Familiar Things; Their History, and the Events Which Led to Their Discovery With a Short Explanation of Some of the Principal Natural Phenomena	Benziger Brothers	978-605-7892-44-7
26	Dr. Montessori's Own Handbook	Maria Montessori	978-605-7892-43-0
27	Éducation et sociologie	Émile Durkheim	978-605-288-990-9
28	The School and Society Being three lectures	John Dewey	978-605-7892-36-2
29	The Mind of the Child, Part II. The Development of the Intellect, International Education	William Thierry Preyer	978-605-7892-38-6 (2.c) 978-605-7892-37-9 (Tk)
30	Sentimental Education Vol 1	Gustave Flaubert	978-605-288-996-1
31	Talks To Teachers On Psychology; And To Students On Some Of Life's Ideals	William James	978-605-7892-39-3
32	Student und Alkohol	Leopold Löwenfeld	978-605-7892-40-9

EK LISTE 2

33	The Grammar School Boys of Gridley or, Dick & Co. Start Things Moving	H. Irving Hancock	978-605-288-971-8
34	The Infant System For Developing the Intellectual and Moral Powers of all Children, from One to Seven years of Age	Samuel Wilderspin	978-605-288-970-1
35	Study of Child Life	Marion Foster Washburne	978-605-288-976-3
36	The Mind and Its Education	George Herbert Betts	978-605-288-969-5
37	The Nervous Child	Hector Charles Cameron	978-605-288-967-1
38	The Rover Boys at School	Edward Stratemeyer	978-605-288-962-6
39	What the Mother of a Deaf Child Ought to Know	John Dutton Wright	978-605-288-959-6
40	What the Schools Teach and Might Teach	John Franklin Bobbitt	978-605-288-958-9
41	Youth: Its Education, Regimen, and Hygiene	G. Stanley Hall	978-605-288-957-2
42	Moral Principles in Education	John Dewey	978-605-7892-42-3
43	Éducation et sociologie	Émile Durkheim	978-605-7892-41-6
44	The Relation of Art to Nature	John W. Beatty	978-605-7892-31-7

EK LİSTE 2

FEN BİLİMLERİ VE MATEMATİK

1	A History Of Greek Mathematics	Florian Cajori	978-605-846-019-5
2	Matematik Dersi ve Mecazlar: "Matematik Dersinde Başarılı Olmak Piyano Çalmaya Benzer; Çünkü Hangi Notaya Basarsan O Sesi Verir	Editör: Altay Eren, Mustafa Onur Yalçın	978-605-180-288-6
3	Elements Of Plane Trigonometry	Hugh Blackburn	978-605-986-704-7
4	Calculus Made Easy	Silvanus P. Thompson	978-605-986-702-3
5	Gauss ve Kuaterniyon Tam Sayılarından Kuantum Kod Elde Etme	Murat Güzeltepe	978-605-324-065-5
6	An Introduction To Mathematics	Alfred North Whitehead	978-605-986-701-6
7	The First Six Books of the Elements of Euclid	Editör: John Casey, Euclid	978-605-288-310-5
8	II. Uluslararası Multidisipliner Çalışmaları Sempozyumu (Fen Bilimleri)	Editör: Serdar Salman	978-605-288-059-3
9	Kimyasal Madde Üretim Reçeteleri	Nazan Apaydın Demir	978-605-180-790-4
10	Social Life in the Insect World	Jean-Henri Fabre	978-605-288-440-9
11	Archimedes	Thomas Little Heath	978-605-288-261-0
12	Michael Faraday: Man Of Science.	Walter Jerrold	978-605-288-272-6
13	Louis Pasteur: His Life And Labours	René Vallery-Radot	978-605-288-278-8
14	Alternate Currents Of High Potential And High Frequency	Nikola Tesla	978-605-288-232-0
15	"Opticks: Or, A Treatise Of The Reflections, Refractions, Inflections And Colours Of Light."	Isaac Newton	978-605-288-234-4
16	Zoonomia; Or, The Laws Of Organic Life, Vol. I	Erasmus Darwin	978-605-288-253-5
17	The Descent Of Man And Selection In Relation To Sex 1	Charles Darwin	978-605-288-243-6
18	The Descent Of Man And Selection In Relation To Sex 2	Charles Darwin	978-605-288-244-3
19	The Descent Of Man And Selection In Relation To Sex 3	Charles Darwin	978-605-288-245-0
20	The Story Of Alchemy And The Beginnings Of Chemistry	M. M. Pattison Muir	978-605-288-241-2
21	The Sidereal Messenger Of Galileo Galilei	Editör: Galileo Galilei / Johannes Kepler	978-605-288-260-3
22	Darwin and Modern Science	A.C. Seward	978-605-288-430-0
23	Öğrenme Deneyimleri Yönetimi	Mehmet Emin Mutlu	978-605-288-532-1
24	Fen Bilimleri ve Matematik Alanında Akademik Çalışmalar	Kolektif	978-605-288-620-5
25	Academic Studies in Science and Mathematics	Kolektif	978-605-288-613-7
26	The Colours Of The Sun And Sun-Like Stars	Mehmet Tanrıver	978-605-288-753-0
27	Zoonomia; Or, The Laws Of Organic Life, Vol. II	Erasmus Darwin	978-605-288-254-2
28	Innovative Approaches in Science and Mathematics	Kolektif	978-605-288-805-6

EK LİSTE 2

FİLOLOJİ

1	Çevirmenlikte Meslekleşme ve Çevirmen Sertifikasyonu	Nazan Müge Uysal	978-605-288-080-7
2	Arap Edebiyat'ından Altın Külçeler	Soner Gündüzöz	978-605-288-020-3
3	Arapça Sarf 1	Doğan Fırıncı	978-605-288-000-5
4	Osmanlı Türkçesine Giriş	Hasan Babacan	978-605-180-097-4
5	Çin Dili	Gürhan Kirilen	978-605-180-270-1
6	Kanıtlayıcı Metinlerde Fransızca ve Türkçe Bağlama Ögeleri	İrfan Ertekin	978-605-180-681-5
7	Çeviribilimde Yerelleştirme Paradigmasına Doğru	Mehmet Cem Odacıoğlu	978-605-180-626-6
8	Osmanlı Musiki Metinleri Rehberi	Mehmet S. Halim Gençoğlu	978-605-180-798-0
9	İranlılara Türkçe Kitabı	Ahmad Jabbari	978-605-180-786-7
10	Türk Dili ve Kompozisyon Bilgileri	İsmail Doğan	978-605-324-277-2
11	İsmet Özel Vs Dünya Sistemi	Arif Aytakin	978-605-288-033-3
12	XIX. Yüzyıl Aşık Şiirinden Yansıyan Halk Hikayeleri	Kadriye Türkan	978-605-288-030-2
13	Türk Masalları ve Max Lüthi Yöntemi	İbrahim Gümüş	978-605-288-001-2
14	Homeros'tan Yaşar Kemal'e Özlü Sözler ve Yaşam Öyküleri Cilt 1-2	Cengiz Yıldırım	978-605-180-854-3 / 978-605-180-855-0
15	Sözün Büyüsü Fuzuli Şiirlerinde Varyantlaşma	Tuğçe Erdal	978-605-180-811-6
16	Haralambos Cankiyadis	Haluk Öner	978-605-180-777-5
17	Eski Türk Edebiyatında Rüya Başlangıçtan XV. Asra Kadar	Erdem Sarıkaya	978-605-180-671-6
18	Osmanlı Dönemi Bediiyyat Şairlerinden Aişe el-Bauniyye ve Peygamber Methiyeleri	Muhammed Vehbi Dereli	978-605-324-375-5
19	Nesr-i Harp Nesr-i Sulh ve Tiryaki Sözleri	Seda Özbek	978-605-288-137-8
20	Kilitbahir Erenlerinden Cahidi Ahmed Efendi ve Divanı	Lokman Taşkesenlioğlu	978-605-288-114-9
21	Dokuz Oğuzlar ve Oğuzlar Üzerine Araştırmalar	Tevfik Orçun Özgün	978-605-288-712-7
22	Filoloji Alanında Akademik Çalışmalar	Kolektif	978-605-288-615-4
23	Academic Studies in Philology	Kolektif	978-605-288-618-2

EK LİSTE 2

GÜZEL SANATLAR

1	19. Yüzyıl Avrupa Resim Sanatında Edebi Konulu Resimler	Günnaz Özmutlu	978-605-982-537-5
2	Avrupa Resim Sanatında Dans İmgeleri	Sibel Almelek İşman	978-605-324-496-7
3	20. Yüzyılda Türk Seramik Sanatı	Gül Erbay Aslıtürk	978-605-324-045-7
4	Sinemasal Mekan Olarak Yuva ve Sembolleri	F. Nihan Şen	978-605-288-161-3
5	Elagabalus Devri Din ve Sanat	Handan Bilici Altunkayalier	978-605-494-299-2
6	GreK Sanatında Karışık Yaratıklar	Akın Temür	978-605-494-296-1
7	Türk Heykel Sanatı ve İlk Heykeltıraşlar	Derya Uzun Aydın	978-605-494-292-3
8	Uzun Sap Bağlama Metodu(Bozuk Düzen)	Sinan Haşhaş	978-605-288-027-2
9	Müzik Öğrencileri İçin Temel Kadans Öğretisi	Tuğra Sağır, Server Acim	978-605-324-134-8
10	Klasik Türk Musikisi Güftelerinde Osmanlıca Kelime ve Terkibler	Gülçin Yahya Kaçar	978-605-180-819-2
11	Türkiye'de Sanat Tarihi Eğitimi ve Avrupa Ülkeleriyle Karşılaştırılması	Huriye Altuner	978-605-324-089-1
12	Farklı Disiplinlerde Müzik	Ünal İmik	978-605-288-008-1
13	Resim Sanatında Gastronomi	Defne Akdeniz	978-605-288-125-5
14	Beylik Aranağme ve Çeşitlemeleriyle Türk Müziği Keman Araştırmaları	Vasfi Hatipoğlu	978-605-180-603-7
15	Dansta Serbest Yazılar	Nihal Cömert	978-605-288-174-3
16	Soma'lı Mustafa Çalar Tavrı ile Klarinet İçin Zeybekler ve Oyun Havaları	Selçuk Öztürk	978-605-180-610-5
17	Elagabalus Devri Din ve Sanat	Handan Bilici Altunkayalier	978-605-494-299-2
18	Bilişim Toplumu Hız Ve Geçiciliğin Çağı	Sevra Fırıncioğulları	978-605-180-936-6
19	Türk Tiyatrosunda Uyarılama (1860-1923)	Sibel Bulut	978-605-288-075-3
20	Yaylı Çalgı Eğitiminde Eşlikli Çalışmaların Önemi	Alper Tunga Özcan	978-605-288-108-8
21	Plastik Sanatlarda Tasarım Elemanları ve İlkeleri	Mücahit Bora	978-605-288-654-0
22	Müzikolojide Kültürel Yaklaşımlar ve Müzik Kültürü Üzerine Eskizler	Göktürk Erdoğan	978-605-288-538-3
23	Güzel Sanatlar Alanında Akademik Çalışmalar	Kolektif	978-605-288-623-6
24	Seven Discourses On Art	Joshua Reynolds	978-605-7892-35-5
25	The Life Of Michelangelo Buonarroti	John Addington Symonds	978-605-288-949-7
26	Rembrandt	Mortimer Menpes	978-605-7892-29-4
27	The Florentine Painters Of The Renaissance	Bernhard Berenson	978-605-288-948-0
28	Chopin and Other Musical Essays	Henry T. Finck	978-605-288-950-3
29	The Relation of Art to Nature	John William Beatty	978-605-288-963-3
30	The Psychology of Singing	David Clark Taylor	978-605-288-964-0
31	The Orchestral Conductor Theory of His Art	Hector Berlioz	978-605-7892-32-4
32	The Notebooks of Leonardo Da Vinci, Complete	Leonardo Da Vinci	978-605-7892-33-1
33	The Dance (by An Antiquary) Historic Illustrations of Dancing from 3300 B.C. to 1911 A.D.	Anonymus	978-605-288-972-5
34	The Best Portraits in Engraving	Charles Sumner	978-605-7892-34-8
35	Richard Wagner Composer of Operas	John F. Runciman	978-605-7892-28-7

EK LİSTE 2

36	Raphael A Collection Of Fifteen Pictures And A Portrait Of The Painter With Introduction And Interpretation	Estelle May Hurl	978-605-288-980-0
37	Prehistoric Textile Art of Eastern United States	William Henry Holmes	978-605-7892-30-0
38	On Conducting (Ueber das Dirigiren): A Treatise on Style in the Execution of Classical Music	Richard Wagner	978-605-7892-27-0
39	Masters of Water-Colour Painting	Herbert Minton Cundall	978-605-7892-23-2
40	Lessons in Music Form A Manual of Analysis of All the Structural Factors and Designs Employed in Musical Composition	Percy Goetschius	978-605-7892-26-3
41	Jean Francois Millet	Estelle May Hurl	978-605-288-988-6
42	Aspects of Modern Opera Estimates and Inquiries	Lawrence Gilman	978-605-288-993-0
43	Ancient Art and Ritual	Jane Ellen Harrison	978-605-7892-25-6
44	Makam Dizileri İçin Piyanoda Eşlik Analiz Yöntem ve Uygulamalar	Engin Gürpınar, Ozan Eroy	978-605-288-011-1

EK LİSTE 2

HUKUK

1	İslam Hukukunda Sorumlu Olmanın Temeli (İstitaat)	Ali Kumaş	978-605-180-190-2
2	Southern Horrors	Ida B. Wells-Barnett	978-605-288-280-1
3	Criminal Psychology: A Manual for Judges, Practitioners, and Students	Hans Gross	978-605-288-286-3
4	New Atlantis	Francis Bacon	978-605-180-965-6
5	The Federalist Papers	Editör: Alexander Hamilton, John Jay, James Madison	978-605-288-287-0
6	A Vindication of the Rights of Woman	Mary Wollstonecraft	978-605-288-285-6
7	The Republic	Plato	978-605-288-289-4
8	The Institutes of Justinian	John Baron Moyle	978-605-288-292-4
9	The Orations of Lysias	Lysias	978-605-288-293-1
10	The Relations between the Laws of Babylonia and the Laws of the Hebrew Peoples	C. H. W. Johns	978-605-288-296-2
11	The Principles of Masonic Law	Albert G. Mackey	978-605-288-345-7
12	The English Constitution	Walter Bagehot	978-605-288-294-8
13	The Essentials of American Constitutional Law	Francis Newton Thorpe	978-605-288-295-5
14	The Common Law	Oliver Wendell Holmes	978-605-288-297-9
15	Laws	Plato	978-605-288-298-6
16	THE OLDEST CODE OF LAWS IN THE WORLD	Hammurabi, King of Babylon	978-605-288-299-3
17	The Law	Frédéric Bastiat	978-605-288-304-4
18	International Law. A Treatise. Volume 1-2	L. Oppenheim	978-605-288-302-0 / 978-605-288-303-7
19	The Secret History of the Court of Justinian	Procopius	978-605-288-300-6
20	Die gerichtliche Arzneikunde in ihrem Verhältnisse zur Rechtspflege	Franz von Ney	978-605-288-305-1
21	Understanding Good Faith Principle And Applying Corporate Governance Principles Under Turkish Commercial Code No.6102	Dursun Ali Demirboğa	978-605-288-564-2

EK LİSTE 2

İLAHİYAT

1	Ulum ve Usul Terminolojisi Yazıları / Kur'anıyat Serisi & Tefsir Yazıları	Ömer Faruk Karataş	978-605-324-400-4
2	İslami İlimlerde Maslahat	Ayten Erol	978-605-288-163-7
3	Tanrı Anlayışı	Cemil Sena	978-605-180-329-6
4	Kutsal Metinlerine Göre Çin Dinlerinde Kadın	Asife Ünal	978-605-288-175-0
5	Kuran Psikoloji Atlası (11 Kitap)	Abdurrahman Kasapoğlu	978-605-288-084-5
6	Kur'an'da Aile Mefhumu	Ahmet Özdemir, Mansur Teyfur	978-605-288-165-1
7	İbn Hazm'ın Kelami Görüşleri	Murat Serdar	978-605-324-061-7
8	Kutbuddin Eş-Şirazi ve Tefsiri	Resul Ertuğrul	978-605-288-117-0
9	Tefsir Usulünün Yapısı ve İşlevi	Süleyman Karacelil	978-605-324-069-3
10	An Enquiry Concerning Human	David Hume	978-605-180-961-8
11	Din Eğitiminde Estetik	Ömer Demir	978-605-288-157-6
12	Ma'lumat-I Ahlakiyye ve Medeniyye	Muslihiddin Adil Taylan	978-605-180-764-5
13	Sufilerin Toplum Görüşü	Fatih Aman	978-605-180-780-5
14	Kur'an ve Tasavvuf	Dilaver Selvi	978-605-180-781-2
15	Allah'a Ulaşmak	İmam Gazali	978-605-494-200-8
16	Mukaddime Fi Tarihi İlmî'l- Hadis	Ali Kuzudişli, Zelal Saada	978-605-180-765-2
17	Alem O'nu Konuşuyor	Hayati Yolcu	978-605-180-926-7
18	Kelam 3 / Sistematik Kelam - İman ve İlahiyat	İsmail Şık, Nail Karagöz	978-605-288-029-6
19	Rusça Kur'an-ı Kerim Çevirileri (Tanımı ve Analizi)	Mürsel Ethem	978-605-288-156-9
20	Müspet ve Menfi İddialar ve Değerlendirmeleriyle Ebu Hanife	Mustafa Öztoprak	978-605-288-187-3
21	Kur'an Rehberliğinde Kendini Bilme Yolculuğu (Seçilmiş Olan Kim?)	Mustafa Tözün	978-605-288-207-8
22	Kelam Açısından Tahrif ve Kutsal Kitapların Mevsûkiyeti Meselesi	İbrahim Kaplan	978-605-180-332-6
23	Tevsirlerde Mu'telize Etkisi	Harun Abacı	978-605-180-549-8
24	Tasavvufun Fikhi Temelleri	Nazım Büyükbaş	978-605-180-350-0
25	İngilizce Kuran	Abdurrahman Kasapoğlu	978-605-180-580-1
26	Psikolojik Tevsir Ekolü	Abdurrahman Kasapoğlu	978-605-180-592-4
27	Kur'an'da İnsanın Karakterleri	Abdurrahman Kasapoğlu	978-605-180-609-9
28	Kur'an'da İletişim Psikolojisi	Abdurrahman Kasapoğlu	978-605-180-615-0
29	Kur'an'da Evlilik Psikolojisi	Abdurrahman Kasapoğlu	978-605-180-614-3
30	Kur'an'da Cinsel iç Güdü	Abdurrahman Kasapoğlu	978-605-180-612-9
31	Arap Dili Morfolojisi	Doğan Firinci	978-605-288-535-2
32	İslâm Tarih Ve Medeniyetinde İskenderiye Şehri (Fethinden Emevîlerin Sonuna Kadar)	Murat Gök	978-605-288-600-7
33	Türkiye İslam Hukukçuları	Adnan Algül	978-605-288-548-2
34	İlahiyat Alanında Akademik Çalışmalar	Kolektif	978-605-288-616-8
35	The Religion of Babylonia and Assyria	Theophilus Pinches	978-605-288-999-2

EK LISTE 2

36	The Koran	Çeviren John Medows Rodwell	978-605-7885-00-5
37	The Jesus of History	Terrot Reaveley Glover	978-605-7885-01-2
38	The Imitation of Christ	Thomas Kempis	978-605-7885-02-9
39	The Future of Islam	Wilfrid Scawen Blunt	978-605-7885-03-6
40	Ten Great Religions An Essay in Comparative Theology	James Freeman Clarke	978-605-7885-04-3
41	Pan-Islam	George Wyman Bury	978-605-7885-05-0
42	Notes on Islam	Ahmed Hussain	978-605-7885-06-7
43	Myth, Ritual, and Religion, Vol. 1	Andrew Lang	978-605-7885-07-4
44	Mohammedanism Lectures on Its Origin, Its Religious and Political Growth, and Its Present State	Christiaan Snouck Hurgronje	978-605-7885-08-1
45	Mahomet Founder of Islam	Gladys M. Draycott	978-605-7885-09-8
46	Judaism	Israel Abrahams	978-605-7885-10-4
47	History of the Jews in Russia and Poland. Volume II From the death of Alexander I. until the death of Alexander III. (1825-1894)	Simon Dubnow	978-605-7885-11-1
48	Hebraic Literature; Translations from the Talmud, Midrashim and Kabbala	Editör Maurice H Harris	978-605-7885-12-8
49	Expositions of Holy Scripture Genesis, Exodus, Leviticus and Numbers	Alexander Maclaren	978-605-7885-13-5
50	Christianity and Islam	Carl Heinrich Becker	978-605-7885-15-9
51	Christianity and Islam in Spain (756-1031)	Charles Reginald Haines	978-605-7885-14-2
52	Chapters on Jewish Literature	Israel Abrahams	978-605-7885-16-6
53	Buddhism and Buddhists in China	Lewis Hodous	978-605-7885-17-3
54	Bouddha	Jules Claretie	978-605-7885-18-0
55	Beacon Lights of History, Volume I	John Lord	978-605-7885-19-7

EK LİSTE 2

MİMARLIK, PLANLAMA VE TASARIM

1	Gaziantep Camilerinde Taş Süslemeler	Süreyya Eroğlu Bilgin	978-605-180-710-2
2	The City of Domes	John D. Barry	978-605-288-344-0
3	Osmanlı Dönemi Isparta ve Burdur Kiliseleri	Ayşe Aydın	978-605-288-148-4
4	Roman Britain in 1914	F. Haverfield	978-605-288-279-5
5	Bilge Kağan Zamanında Sarı Irmak Kıyısında Türk Heykelleri (721-724)	Gürhan Kirilen	978-605-288-037-1
6	The Architecture and Landscape Gardening of the Exposition	Louis Christian Mullgardt	978-605-288-380-8
7	Architecture and Democracy	Claude Fayette Bragdon	978-605-288-337-2
8	İstanbul'un Camileri	Nermin Özsel	978-605-180-428-6
9	The Seven Lamps of Architecture	John Ruskin	978-605-288-342-6
10	Türk Mimari Süsleme Sanatında İkonografik Figürler	Şenay Sayın Alsan	978-605-180-755-3
11	Architecture: Classic and Early Christian	Editör: John Slater, T. Roger Smith	978-605-288-332-7
12	Portuguese Architecture	Walter Crum Watson	978-605-288-340-2
13	Garden Design	W. Robinson	978-605-288-339-6
14	Postmodern Cephe Estetiğinde Barok Bir Yöntem Olarak Teatral Anlatım İlkeleri	Tuğba Erdil Polat	978-605-180-622-8
15	A History of Art for Beginners and Students: Painting, Sculpture, Architecture	Clara Erskine Clement	978-605-288-331-0
16	The Nebuly Coat	John Meade Falkner	978-605-288-333-4
17	The Principles of Gothic Ecclesiastical Architecture	Matthew Holbeche Bloxam	978-605-288-341-9
18	Architecture: Gothic and Renaissance	T. Roger Smith	978-605-288-338-9
19	Historical Sketch of the Cathedral of Strasburg	Anonymous	978-605-288-343-3
20	Şehr-i Meydan Tokat	Mutlu Özgen	978-605-288-097-5
21	Mimarlık, Planlama ve Tasarım Alanında Akademik Çalışmalar	Kolektif	978-605-288-621-2
22	Academic Studies in Architecture, Planning and Design	Kolektif	978-605-288-610-6
23	Old St. Paul's Cathedral	William Benham	978-605-288-984-8
24	The Architecture of Provence and the Riviera	David MacGibbon	978-605-288-974-9
25	Italian Villas and Their Gardens	Edith Wharton	978-605-288-989-3
26	Royal Palaces and Parks of France	Milburg Francisco Mansfield	978-605-288-978-7
27	An Architect's Note-book in Spain	Matthew Digby Wyatt	978-605-288-995-4
28	The Shores of the Adriatic	Frederick Hamilton Jackson	978-605-288-960-2
29	How to judge architecture: a popular guide to the appreciation of buildings	Russell Sturgis	978-605-288-982-4
30	MİMARLIK ALANINDA ARAŞTIRMA VE DEĞERLENDİRMELER		

EK LİSTE 2

MÜHENDİSLİK			
1	Çağımız Mühendisinden Beklenenler	Emin Taner Elmas	978-605-324-415-8
2	Mühendislik ve Fen Bilimlerine Yönelik Bilgisayar Programlama ve Algoritma Analizine Giriş	İrfan Macit	978-605-288-038-8
3	Object Oriented Programming Topics With C++	Tolga Pusatlı	978-605-288-019-7
4	Endüstri 4.0 (Dördüncü Sanayi Devrimi) İle Çalışma Yaşamının Geleceği	Barış Öztuna	978-605-180-983-0
5	Teknik ve Meslek Resim	Ali Özdemir	978-605-324-022-8
6	Beton İçerisindeki Dual-Faz Çeliğinin Korozyonu	Oğuzhan Keleştemur	978-605-324-053-2
7	The Architecture and Landscape Gardening of the Exposition	Louis Christian Mullgardt	978-605-288-380-8
8	Experimental Researches In Electricity	Michael Faraday	978-605-288-377-8
9	The Progress Of Invention In The Nineteenth Century	Edward W. Byrn	978-605-288-376-1
10	Aircraft and Submarines	Willis J. Abbot	978-605-288-374-7
11	Steam Engines	Anonymous	978-605-288-378-5
12	Practical Exercises in Elementary Meteorology	Robert DeCourcy Ward	978-605-288-411-9
13	The Elements of Geology	William Harmon Norton	978-605-288-419-5
14	The Earliest Electromagnetic Instruments	Robert A. Chipman	978-605-288-425-6
15	Industrial Biography Iron Workers and Tool Makers	Samuel Smiles	978-605-288-379-2
16	A Course of Mechanical, Magnetical, Optical, Hydrostatical and Pneumatical Experiments	Francis Hauksbee (the Younger)	978-605-288-429-4
17	The Early History of the Airplane	Wilbur Wright	978-605-288-428-7
18	Some Mooted Questions in Reinforced Concrete Design	Edward Godfrey	978-605-288-427-0
19	Common Minerals and Rocks	William O. Crosby	978-605-288-405-8
20	Meteorology: The Science of the Atmosphere	Charles Fitzhugh Talman	978-605-288-426-3
21	Mühendislik Alanında Akademik Çalışmalar	Kolektif	978-605-288-624-3
22	Academic Studies in Engineering	Kolektif	978-605-288-611-3
23	Innovative Approaches in Engineering	Kolektif	978-605-288-802-5
24	Detail design in harsh climates	Fatih Yazıcıoğlu	978-605-288-759-2
25	The Principles of Scientific Management	Frederick Winslow Taylor	978-605-288-955-8
26	Alternate Currents Of High Potential And High Frequency	Nikola Tesla	978-605-288-232-0
27	A History of the Growth of the Steam-Engine	Robert HenryThurston	978-605-288-954-1

EK LİSTE 2

SOSYAL, BEŞERİ VE İDARİ BİLİMLER

1	Pagan and Christian Rome	Rodolfo Amedeo Lanciani	978-605-288-273-3
2	57 Yıl	Ahmet Özgür Türen	978-605-180-460-6
3	Türkiye’de Faiz Koridoru Uygulaması ve ‘Bist’ Endekslerine Etkileri	Bekir Tamer Gökalp	978-605-180-974-8
4	Representation of Deities of the Maya Manuscripts	Paul Schellhas	978-605-288-274-0
5	The Ethics	Benedictus Spinoza	978-605-180-912-0
6	Bilinçaltı	Sigmund Freud	978-605-288-107-1
7	Maymunsan	Gülfem Uysal	978-605-288-176-7
8	Antropoloji ve Din	Fatih Aman	978-605-324-493-6
9	G@zetecilik 2.0 : İnternet Gazeteciliğinde Hipermetinsellik	Bilge Narin	978-605-288-145-3
10	Yönetim Teorisinin Tarihsel Gelişimi İşleyim Devrimi ve Kapitalist İşleyişe Dair Notlar	İsmail Sarp Aykurt	978-605-982-501-6
11	Sosyal Medya İletişimi	Editor : Erdem Taşdemir, Emre Ş. Aslan	978-605-288-122-4
12	Örgütsel İletişim Etkinliği	Ali Abbas Eyyüpoğlu	978-605-288-205-4
13	İlm-i İktisad	Muslihiddin Adil Taylan	978-605-180-742-3
14	İşlem Maliyetleri Bağlamında Elektronik Ticaret	Bilge Timuçin Ekinci	978-605-180-272-5
15	Türklerin Gerçek Tarihi	Arif Erman	978-605-180-813-0
16	Reklam ve Müzik	Serkan Çakır	978-605-180-538-2
17	İslam Hukukunda Uluslararası Uyuşmazlıkların Çözümünde Mukabele Uygulamaları	Yakup Mahmutoğlu	978-605-288-013-5
18	Başlangıcından Günümüze Siyasal İletişimin Temelleri	Necdet Ekinci	978-605-180-247-3
19	Yüzyılın Sorunları ve Sosyoloji II	Fethi Nas	978-605-288-116-3
20	Sosyal Psikoloji	Ahmet Özalp	978-605-180-602-0
21	New Approaches in Gastronomy	Editör: Oğuz Diker, Serdar Sünnetçioğlu	978-605-288-153-8
22	Yeni Türkiye ve Post-İslamcılık	Yavuz Çobanoğlu	978-605-288-569-7
23	Sosyal Bilimlerde Alternatif Yorumlar	Kolektif, Editör: Salih Batal	978-605-288-519-2
24	Sosyal Bilimlerde Akademik Çalışmalar ve Değerlendirmeler	Kolektif, Editör: Salih Batal	978-605-288-536-9
25	Contemporary Researches in Social Sciences	Ahmet Yağmur Ersoy	978-605-288-636-6
26	The Presence Of Kosovar Turks: A Relation Of Identity And Education	Ayşegül Bostan	978-605-288-752-3
27	Academic Studies On Science, Art & Culture - 2018 Autumn	Kolektif	978-605-288-877-3
28	TECHNO-POLITICAL PARANOIA IN GEORGE ORWELL AND THOMAS PYNCHON	Bülent Cercis Tanrıtanır	978-605-288-844-5
29	TECHNO-POLITICAL PARANOIA IN GEORGE ORWELL AND THOMAS PYNCHON 2	Bülent Cercis Tanrıtanır	978-605-288-845-2
30	Innovative approaches in social, human and administrative sciences	Kolektif	978-605-288-787-5
31	Detail design in harsh climates	Fatih Yazıcıoğlu	978-605-288-759-2
32	Second language listening research: listening comprehension strategies in second language learning	Sinan ÖZYURT	978-605-288-731-8
33	Academic studies in social, human and administrative sciences	Kolektif	978-605-288-606-9

EK LİSTE 2

34	Contemporary researches in social sciences	Kolektif	978-605-288-636-6
35	Olympic strategy of downtown Atlanta business elites: a case study of the 1996 Atlanta Summer Olympics	Tuna Batuhan	978-605-288-704-2
36	A tale of two cities	Charles Dickens	978-605-288-515-4
37	Alice's adventures in wonderland	Lewis Carroll	978-605-288-516-1
38	Dracula	Bram Stoker	978-605-288-517-8
39	Metamorphosis	Franz Kafka	978-605-288-518-5
40	Adventures of Huckleberry Finn	Mark Twain	978-605-288-526-0
41	The strange case of dr. jekyll and mr. hyde	Robert Louis Stevenson	978-605-288-527-7
42	Grimm's fairy tales	Jacob Grimm	978-605-288-539-0
43	Notes from the underground	Fyodor Dostoyevsky	978-605-288-541-3
44	Understanding good faith principle and applying corporate governance principles under Turkish Commercial Code No.6102	Dursun Ali Demirboğa	978-605-288-564-2
45	Roman farm management	Marcus Porcius Cato	978-605-288-442-3
46	The book of tragedies	Saman Hashemipour	978-605-288-459-1
47	International symposium on strategic and social research abstract book	Kolektif	978-605-288-472-0
48	Three hundred things a bright boy can do	Anonymous	978-605-288-312-9
49	Socio-Political and ethical issues in Martin Crimp's major staged plays	Belgin Şakiroğlu	978-605-288-327-3
50			

EK LİSTE 2

SPOR BİLİMLERİ

1	Fiziksel Aktiviteye Katılım, Görünüş Kaygısı ve Öz-Yeterlik İlişkisi	Serdar Alemdağ	978-605-288-189-7
2	Hunting in Many Lands: The Book of the Boone and Crockett Club	George Bird Grinnell	978-605-288-317-4
3	Beden Eğitimi ve Sporda Toplumsallaşma	Ahmet Şadan Ökmen	978-605-288-050-0
4	Swimming Scientifically Taught	Editör: Frank Eugen Dalton, Louis C. Dalton	978-605-288-323-5
5	Three Hundred Things a Bright Boy Can Do	Harold Armitage	978-605-288-312-9
6	The Half-Back: A Story of School, Football, and Golf	Ralph Henry Barbour	978-605-288-311-2
7	HPNS & Alt Ekstremitte 1	Soner Ödemiş	978-605-180-613-6
8	Atlantic Classics, Second Series	Jane Addams	978-605-288-316-7
9	Philosophy in Sport Made Science in Earnest	John Ayrton Paris	978-605-288-451-5
10	Healthful Sports for Boys	A. R. Calhoun	978-605-288-313-6
11	Ladies in the Field: Sketches of Sport	Lady Violet Greville	978-605-288-320-4
12	Fishing and Shooting Sketches	Grover Cleveland	978-605-288-366-2
13	Türk Ekstrem Sporcularının Tüketici Davranışı Modeli	Kerem Yıldırım	978-605-324-081-5
14	The Sport of the Gods	Paul Laurence Dunbar	978-605-288-321-1
15	American Football	Walter Camp	978-605-288-309-9
16	Outdoor Sports and Games	Claude Harris Miller	978-605-288-324-2
17	Hunting Dogs	Oliver Hartley	978-605-288-329-7
18	A Sportsman's Sketches Vol 1-2	Ivan Turgenev	978-605-288-314-3 / 978-605-288-315-0
19	The Sports And Pastimes Of The People Of England	Joseph Strutt	978-605-288-325-9
20	Cricket	Horace G. Hutchinson	978-605-288-328-0
21	Beden Eğitimi ve Sporda Toplumsallaşma	Ahmet Şadan Ökmen	978-605-288-050-0
22	Sporda Risk Yönetimi: Türkiye Hentbol Süper Ligi Örneği	Özgür Karataş	978-605-288-360-0
23	Spor Bilimleri Alanında Akademik Çalışmalar	Kolektif	978-605-288-625-0
24	Academic Studies in Sport Sciences	Kolektif	978-605-288-619-9
25	Innovative Approaches in Sport Sciences	Kolektif	978-605-288-806-3
26	Philosophy in sport	John Ayrton Paris	978-605-288-461-4

EK LİSTE 2

SAĞLIK BİLİMLERİ

1	Ergenlerde İnternet Bağımlılığın Depresyon ve Anksiyete Üzerindeki Etkisi	Yekta Korkmaz	978-605-180-791-1
2	The Evolution of Modern Medicine	William Osler (Kanada)	978-605-288-368-6
3	SEX Avoided Subjects Discussed In Plain English	Henry Stanton (ABD)	978-605-288-269-6
4	Osteoporoz Teşhisinde Mandibulanın Kantitatif Analizi	Binali Çakur	978-605-324-121-8
5	Little Masterpieces of Science	Editör: George Iles	978-605-288-277-1
6	Gelenek ve Değişim Ekseninde Trabzon Halk Hekimliği Üzerine Bir Araştırma	Nagihan Baysal	978-605-324-066-2
7	The Untroubled Mind	Herbert J. Hall	978-605-288-237-5
8	Tarihsel Süreçte Anadolu'da Sıtma	Editör: Eren Akçiçek, Şükran Köse	978-605-180-724-9
9	Yüksek Okullar İçin Temel Anatomi	Serpil Çilingiroğlu Anlı	978-605-288-168-2
10	Sağlıklı Yaşam Doğru Beslenme Hastalıklardan Korunma	Ali Özdemir	978-605-324-021-1
11	Notes On Nursing- What It Is, And What It Is Not	Florence Nightingale (İngiliz)	978-605-288-248-1
12	Çağın Hastalığı Kandida İkinci Beyin Kalın Bağırsak	Nizamettin Sırrı Kazancı	978-605-180-992-2
13	Physiological Researches on Life and Death – Part 1	Xavier Bichat (Fransız)	978-605-288-267-2
14	Physiological Researches on Life and Death Part 2	Xavier Bichat	978-605-288-268-9
15	Nerves and Common Sense	Annie Payson Call	978-605-288-367-9
16	Çöl Kaynaklı Tozların İnsan Sağlığı ve Bitkiler Üzerindeki Etkileri	Taner Şengün, Harun Reşit Bağcı	978-605-180-894-9
17	Tarihsel Süreçte Anadolu'da Kuduz	Editör: Çağrı Büke, Fevzi Çakmak	978-605-288-173-6
18	The Ladies Book	Anonymous	978-605-288-288-7
19	Hareket Portesi Notasyon Sistemi	Sonay Ödemiş	978-605-180-393-7
20	Private Sex Advice to Women	R. B. Armitage	978-605-288-235-1
21	Sağlıkta Dönüşüm Çıkmazı	Erdal Çirpici	978-605-982-503-0
22	Multidisipliner Çalışmalar-3 (Sağlık ve Fen Bilimleri)	Murat A. Kuş & Rıdvan Karapınar	978-605-288-223-8
23	Sağlık Bilimleri Alanında Akademik Çalışmalar	Kollektif	978-605-288-622-9
24	Academic Studies in Health Sciences	Kollektif	978-605-288-612-0
25	Louis Pasteur: His Life And Labours	René Vallery-Radot	978-605-288-278-8
26	The expression of the emotion in man and animals	Charles Darwin	978-605-288-236-8
27	Innovative approaches in health sciences	Kolektif	978-605-288-786-8
28	Ginseng and other medicinal plants	Arthur Robert Harding	978-605-288-437-9
29	A treatise on sheep	Ambrose Blacklock	978-605-288-448-5
30	Academic researches in health sciences	Kolektif	978-605-288-399-0
31	Materia Medica and Therapeutics	John B. Beck	978-605-288-932-9
32	Half-Yearly Abstract Of The Medical Sciences: Being A. Digest Of British And Continental Medicine, And Of The Progress Of Medicine And The Collateral Sciences	Kolektif, Editor: William Domett Stone	978-605-288-933-6
33	Lectures On Diseases Of The Heart	Edwin M. Hale	978-605-288-934-3

EK LİSTE 2

ZİRAAT, ORMAN VE SU ÜRÜNLERİ			
1	The Movements And Habits Of Climbing Plants	Charles Darwin	978- 605-288-242-9
2	Dağların Efendileri Doğu Karadeniz Hayvancılık ve Çobanlık Kültürü	Mustafa Aça	978-605-288-213-9
3	Marvels of Pond-life: A Year's Microscopic Recreations	Henry J. Slack	978-605-288-441-6
4	Domestic Animals	Richard L. Allen	978-605-288-439-3
5	The Mechanical Properties of Wood	Samuel J. Record	978-605-288-453-9
6	The Complete Herbal	Nicholas Culpeper	978-605-288-452-2
7	Flowers of the Farm	Arthur Owens Cooke	978-605-288-447-8
8	The Elements of Botany, For Beginners and For Schools	Asa Gray	978-605-288-458-4
9	Roman Farm Management The Treatises Of Cato And Varro	Marcus Porcius Cato	978-605-288-442-3
10	The elements of agriculture	George E. Waring	978-605-288-449-2
11	Wood and Garden: Notes and thoughts, practical and critical, of a working	Gertrude Jekyll	978-605-288-450-8
12	Town Geology	Charles Kingsley	978-605-288-457-7
13	A Treatise on Sheep	Ambrose Blacklock	978-605-288-448-5
14	The History of The Hen Fever A Humorous Record	George P. Burnham	978-605-288-456-0
15	The Bee-keeper's Manual	Henry Taylor	978-605-288-455-3
16	Wayside and Woodland Trees: A pocket guide to the British sylvia	Edward Step	978-605-288-454-6
17	Crops and Methods for Soil Improvement	Alva Agee	978-605-288-992-3
18	Farmers of Forty Centuries or, Permanent Agriculture in China, Korea and Japan	F. H. King	978-605-288-436-2
19	Cabbages and Cauliflowers: How to Grow Them	James John Howard Gregory	978-605-288-435-5
20	Ginseng and Other Medicinal Plants	Arthur Robert Harding	978-605-288-437-9
21	Ziraat, Orman ve Su Ürünleri Alanında Akademik Çalışmalar	Kolektif	978-605-288-617-5
22	Academic Studies in Agriculture, Forestry and Aquaculture Sciences	Kolektif	978-605-288-604-5
23	Innovative Approaches in Agriculture, Forestry and Aquaculture Sciences	Kolektif	978-605-288-800-1

"GECE KİTAPLIĞI YAYINEVİ" AKADEMİK YAYINLARINA AİT YAZAR LİSTESİ

Prof. Dr. Abdulhalik KARABULUT	<i>Agri Ibrahim Cecen University</i>
Prof. Dr. Ahmet Selçuk CAN	<i>Yalova University</i>
Prof. Dr. Ahu ALTINKUT UNCUOĞLU	<i>Marmara University</i>
Prof. Dr. Ali SEYREK	<i>Harran University</i>
Prof. Dr. Ali UZUN	<i>Ondokuz Mayıs University</i>
Prof. Dr. Arif HEPBAŞLI	<i>Yasar University</i>
Prof. Dr. Ayşe UYGUR	<i>Marmara University</i>
Prof. Dr. Bahriye GÜLGÜN ASLAN	<i>Ege University</i>
Prof. Dr. Banu Yazgan İNANÇ	<i>Toros University</i>
Prof. Dr. Benan BAYRAKÇI	<i>Hacettepe University</i>
Prof. Dr. Burçin Cem ARABACIOĞLU	<i>Mimar Sinan Fine Arts University</i>
Prof. Dr. Cengiz ACAR	<i>Karadeniz Technical University</i>
Prof. Dr. Elif Özlem AYDIN	<i>Gebze Technical University</i>
Prof. Dr. Emine ÇOBANOĞLU	<i>Marmara University</i>
Prof. Dr. Ercan KIRAZ	<i>Çanakkale Onsekiz Mart University</i>
Prof. Dr. Erhan Vecdi KÜÇÜKERBAŞ	<i>Ege University</i>
Prof. Dr. Fahrettin TILKI	<i>Artvin Coruh University</i>
Prof. Dr. Fehiman ÇİNER	<i>Niğde Ömer Halisdemir University</i>
Prof. Dr. Hakan Naim ARDOR	<i>Gazi University</i>
Prof. Dr. Halil İbrahim ZEYBEK	<i>Gümüşhane University</i>
Prof. Dr. Handan UYSAL	<i>Atatürk University</i>
Prof. Dr. Hasan ARAPGİRLİOĞLU	<i>Akdeniz University</i>
Prof. Dr. Hasan BOYNUKARA	<i>Namık Kemal University</i>
Prof. Dr. Hasret BALCIOĞLU	<i>Cyprus International University</i>
Prof. Dr. Hayriye ATİK	<i>Erciyes University</i>
Prof. Dr. Hesna Nursevin ÖZTOP	<i>Cumhuriyet University</i>
Prof. Dr. İbrahim KESER	<i>Akdeniz University</i>
Prof. Dr. İsmail Hakkı ÖZÖLÇER	<i>Bülent Ecevit University</i>
Prof. Dr. İsmet DAŞDEMİR	<i>Bartın University</i>
Prof. Dr. Kadircan ÖZKAN	<i>Selçuk University</i>
Prof. Dr. Kamuran ELBEYOĞLU	<i>Toros University</i>
Prof. Dr. M. Necat COŞKUN	<i>Gazi University</i>
Prof. Dr. Mehmet Dincer BİLGİN	<i>Adnan Menderes University</i>
Prof. Dr. Mehmet Emin ERDAL	<i>University of Mersin</i>
Prof. Dr. Melih Onder BABAOĞLU	<i>Hacettepe University</i>
Prof. Dr. Menderes TARCAN	<i>Eskişehir Osmangazi University</i>
Prof. Dr. Murat KILIÇ	<i>Kirikkale University</i>
Prof. Dr. Mustafa BAYRAM	<i>Gaziantep University</i>
Prof. Dr. Muzaffer YÜCEL	<i>Çukurova University</i>
Prof. Dr. Naile BİLGİLİ	<i>Gazi University</i>
Prof. Dr. Neşet HİKMET	<i>University of South Carolina</i>
Prof. Dr. Nihal ARIOĞLU	<i>Istanbul Technical University</i>

EK LİSTE 3

Prof. Dr. Nilay BAŞOK	<i>Ege University</i>
Prof. Dr. Nuray GİRİNER	<i>Eskisehir Osmangazi University</i>
Prof. Dr. Nursan ÇINAR	<i>Sakarya University</i>
Prof. Dr. Rahmi Ertan ANLI	<i>Ankara University</i>
Prof. Dr. Safiye Elif KORCAN	<i>Uşak University</i>
Prof. Dr. Seçil ŞATIR	<i>Fatih Sultan Mehmet University</i>
Prof. Dr. Selahattin GÜRİŞ	<i>Marmara University</i>
Prof. Dr. Seniha Alev SÖYLEMEZ	<i>Gazi University</i>
Prof. Dr. Serap SAGLIK ASLAN	<i>Istanbul University</i>
Prof. Dr. Serpil Ünver SARAYDIN	<i>Cumhuriyet University</i>
Prof. Dr. Sevim ÇELİK	<i>Bülent Ecevit University</i>
Prof. Dr. Şenay AKKUŞ ÇETİNUS	<i>Cumhuriyet University</i>
Prof. Dr. Turan SAĞER	<i>Yildiz Technical University</i>
Prof. Dr. Vail KARAKALE	<i>Marmara University</i>
Prof. Dr. Vedat SAĞLAM	<i>Ondokuz Mayıs University</i>
Prof. Dr. Yusuf ÇELİK	<i>Hacettepe University</i>
Prof. Dr. Zeliha SELAMOĞLU	<i>Nigde Ömer Halisdemir University</i>
Prof. Dr. Zerrin SÖĞÜT	<i>Çukurova University</i>
Assoc. Prof. Dr. Aycan ÇİÇEK SAĞLAM	<i>Muğla Sıtkı Koçman University</i>
Assoc. Prof. Dr. Adnan KAKİLLİ	<i>Marmara University</i>
Assoc. Prof. Dr. Ali Ender ALTUNOĞLU	<i>Muğla Sıtkı Koçman University</i>
Assoc. Prof. Dr. Aslı GÖNCÜ KÖSE	<i>Çankaya University</i>
Assoc. Prof. Dr. Ayça SARIALIOĞLU HAYALI	<i>Karadeniz Technical University</i>
Assoc. Prof. Dr. Aylin ATAAY	<i>Galatasaray University</i>
Assoc. Prof. Dr. Ayten İFLAZOĞLU SABAN	<i>Çukurova University</i>
Assoc. Prof. Dr. Banu MUSTAN DÖNMEZ	<i>Inonu University</i>
Assoc. Prof. Dr. Burcu YILMAZ ŞAHİNBAŞKAN	<i>Marmara University</i>
Assoc. Prof. Dr. Celal Teyyar UĞURLU	<i>Cumhuriyet University</i>
Assoc. Prof. Dr. Cemil ÖRGEV	<i>Sakarya University</i>
Assoc. Prof. Dr. Cihan SEÇİLMİŞ	<i>Eskişehir Osmangazi University</i>
Assoc. Prof. Dr. Çiğdem KILIÇASLAN	<i>Adnan Menderes University</i>
Assoc. Prof. Dr. Deniz DEMIRARSLAN	<i>Kocaeli University</i>
Assoc. Prof. Dr. Emine AHMETOĞLU	<i>Trakya University</i>
Assoc. Prof. Dr. Emine MALKOÇ TRUE	<i>Ege University</i>
Assoc. Prof. Dr. Erdal SAKİN	<i>Harran University</i>
Assoc. Prof. Dr. Fahri YETİM	<i>Eskisehir Osmangazi University</i>
Assoc. Prof. Dr. Fatma FİDAN	<i>Sakarya University</i>
Assoc. Prof. Dr. Gülhan TEMEL	<i>Mersin University</i>
Assoc. Prof. Dr. H. Eylem KAYA	<i>Süleyman Demirel University</i>
Assoc. Prof. Dr. Hamit YOKUŞ	<i>Muğla Sıtkı Koçman University</i>
Assoc. Prof. Dr. Hülya YÜKSEL	<i>Dumlupınar University</i>
Assoc. Prof. Dr. Hüseyin ERSOY	<i>Sakarya University</i>
Assoc. Prof. Dr. Hüseyin ÜNLÜ	<i>Aksaray University</i>
Assoc. Prof. Dr. Ilknur AKINER	<i>Akdeniz University</i>
Assoc. Prof. Dr. İlker Hüseyin ÇELEN	<i>Namik Kemal University</i>
Assoc. Prof. Dr. Kazım Yalçın ARĞA	<i>Marmara University</i>

EK LİSTE 3

Assoc. Prof. Dr. Köksal PABUÇÇU	<i>Gaziosmanpaşa University</i>
Assoc. Prof. Dr. Kutlu SEVİNÇKAYIHAN	<i>Gebze Technical University</i>
Assoc. Prof. Dr. Mehmet PEKKAYA	<i>Bülent Ecevit University</i>
Assoc. Prof. Dr. Meryem KAÇAN ERDOĞAN	<i>Eskişehir Osmangazi Üniversitesi</i>
Assoc. Prof. Dr. Metin OZDEMİR	<i>Uludağ University</i>
Assoc. Prof. Dr. Mualla YILMAZ	<i>Mersin University</i>
Assoc. Prof. Dr. Murat KILIÇ	<i>Kırıkkale University</i>
Assoc. Prof. Dr. Mustafa Fedai ÇAVUŞ	<i>Osmaniye Korkut Ata University</i>
Assoc. Prof. Dr. Mustafa KAHYAOGU	<i>Siirt University</i>
Assoc. Prof. Dr. Neslihan DOĞAN SAĞLAMTİMUR	<i>Niğde Ömer Halisdemir University</i>
Assoc. Prof. Dr. Özlem İZCİ AY	<i>Mersin University</i>
Assoc. Prof. Dr. Öznur ÖZKAN KILIÇ	<i>Baskent University</i>
Assoc. Prof. Dr. Pervin Oya TANERİ	<i>Çankırı Karatekin University</i>
Assoc. Prof. Dr. Pınar ŞANLIBABA	<i>Ankara University</i>
Assoc. Prof. Dr. Ramazan ERTURGUT	<i>Akdeniz University</i>
Assoc. Prof. Dr. Reyhan ERDOĞAN	<i>Akdeniz University</i>
Assoc. Prof. Dr. Saniye BİLİCİ	<i>Gazi University</i>
Assoc. Prof. Dr. Satı DEMİR	<i>Gazi University</i>
Assoc. Prof. Dr. Selen DURAK	<i>Uludağ University</i>
Assoc. Prof. Dr. Selma ÇELİKİYAY	<i>Bartın University</i>
Assoc. Prof. Dr. Sevim Feyza ERDOĞMUŞ	<i>Afyon Kocatepe University</i>
Assoc. Prof. Dr. Sinan SÖNMEZ	<i>Marmara University</i>
Assoc. Prof. Dr. Sinem YEYGEL ÇAKIR	<i>Ege University</i>
Assoc. Prof. Dr. Suat UĞUR	<i>Canakkale Onsekiz Mart University</i>
Assoc. Prof. Dr. Tomris DENİZ	<i>Istanbul University</i>
Assoc. Prof. Dr. Tuba GÜLTEKİN	<i>Dokuz Eylül University</i>
Assoc. Prof. Dr. Tuba YOKUŞ	<i>Muğla Sıtkı Koçman University</i>
Assoc. Prof. Dr. Tunç ÇATAL	<i>Uskudar University</i>
Assoc. Prof. Dr. Tutku AKTER	<i>Eastern Mediterranean University</i>
Assoc. Prof. Dr. Tülin VURAL ARSLAN	<i>Uludağ University</i>
Assoc. Prof. Dr. Uğur DAL	<i>Mersin University</i>
Assoc. Prof. Dr. Yelda Aydın TÜRK	<i>Karadeniz Technical University</i>
Assoc. Prof. Dr. Yurdanur DİKMEN	<i>Sakarya University</i>
Assoc. Prof. Dr. Zekiye ÇETİNKAYA DUMAN	<i>Dokuz Eylül University</i>
Assoc. Prof. Dr. Zübeyir DEVRAN	<i>Akdeniz University</i>
Assoc. Prof. Dr. Atilla ATİK	<i>Yıldız Technical University</i>
Assoc. Prof. Dr. Bülent CENGİZ	<i>Bartın University</i>
Assoc. Prof. Dr. Canan CENGİZ	<i>Bartın University</i>
Assoc. Prof. Dr. Cüneyt KILIÇ	<i>Canakkale Onsekiz Mart University</i>
Assoc. Prof. Dr. Deniz DEMIRARSLAN	<i>Artvin Coruh University</i>
Assoc. Prof. Dr. Deniz Şahin TAŞ	<i>Kocaeli University</i>
Assoc. Prof. Dr. Feyza BALAN	<i>Canakkale Onsekiz Mart University</i>
Assoc. Prof. Dr. H. Dilek SEVİN	<i>Gazi University</i>
Assoc. Prof. Dr. Halil ÖZEKİCİOĞLU	<i>Cumhuriyet University</i>
Assoc. Prof. Dr. Mihalis (Michael) KUYUCU	<i>Istanbul Aydin University</i>

EK LİSTE 3

Assoc. Prof. Dr. Mualla YILMAZ	<i>Mersin University</i>
Assoc. Prof. Dr. Kamil ALAKUŞ	<i>Ondokuz Mayıs University</i>
Assoc. Prof. Dr. Hasan AKGÜL	<i>Akdeniz University</i>
Assoc. Prof. Dr. Kazım Yalçın ARGA	<i>Marmara University</i>
Assoc. Prof. Dr. Hatice YURTSEVER	<i>Manisa Celal Bayar University</i>
Assoc. Prof. Dr. Murat ERTEKİN	<i>Konya Necmettin Erbakan University</i>
Assoc. Prof. Dr. Mustafa KAHYAOĞLU	<i>Siirt University</i>
Assoc. Prof. Dr. Mustafa ŞEVİK	<i>Mehmet Akif Ersoy University</i>
Assoc. Prof. Dr. Naile HACIZADE	<i>Selçuk University</i>
Assoc. Prof. Dr. Nazan AVCIOĞLU KALEBEK	<i>Gaziantep University</i>
Assoc. Prof. Dr. Nihan Özgüven TAYFUN	<i>Dokuz Eylül University</i>
Assoc. Prof. Dr. Özgür SARI	<i>Aksaray University</i>
Assoc. Prof. Dr. Özlem İZCİ AY	<i>Mersin University</i>
Assoc. Prof. Dr. Seçil TAŞTAN	<i>Marmara University</i>
Assoc. Prof. Dr. Semra ERPOLAT TASABAT	<i>Mimar Sinan University</i>
Assoc. Prof. Dr. Serap DURUKAN KÖSE	<i>Mugla Sitki Kocman University</i>
Assoc. Prof. Dr. Serdar TUNA	<i>Mehmet Akif Ersoy University</i>
Assoc. Prof. Dr. Sevgi AKARSU	<i>Dokuz Eylül University</i>
Assoc. Prof. Dr. Sinan SÖNMEZ	<i>Marmara University</i>
Assoc. Prof. Dr. Tuba GÜLTEKİN	<i>Dokuz Eylül University</i>
Assoc. Prof. Dr. Yavuz ÇOKAL	<i>Uludag University</i>
Assoc. Prof. Dr. Yelda AYDIN TÜRK	<i>Karadeniz Technical University</i>
Assist. Prof. Dr. Ahmet Yağmur ERSOY	<i>Sakarya University</i>
Assist. Prof. Dr. Aklime SARIKAYA	<i>İstanbul Sabahattin Zaim University</i>
Assist. Prof. Dr. Ali ÇETİN	<i>Siirt University</i>
Assist. Prof. Dr. Arzu KOÇAK	<i>Siirt University</i>
Assist. Prof. Dr. Aykut SEZGİN	<i>Süleyman Demirel University</i>
Assist. Prof. Dr. Ayşegül BAYKUL	<i>Süleyman Demirel University</i>
Assist. Prof. Dr. Ayşenur ALTINAY	<i>Uşak University</i>
Assist. Prof. Dr. Azize ESMERAY	<i>Erciyes University</i>
Assist. Prof. Dr. Benan BAYRAKÇI	<i>Hacettepe University</i>
Assist. Prof. Dr. Berrin SİREL	<i>Çukurova University</i>
Assist. Prof. Dr. Buket CANDAN	<i>Çankırı Karatekin University</i>
Assist. Prof. Dr. Bünyamin AYGÜN	<i>Agri Ibrahim Cecen University</i>
Assist. Prof. Dr. Burcu ARKAN	<i>Uludağ University</i>
Assist. Prof. Dr. Cagla SENELER	<i>Yeditepe University</i>
Assist. Prof. Dr. Can ATEŞ	<i>Van Yuzuncu Yil University</i>
Assist. Prof. Dr. Cemal POLAT	<i>Namık Kemal University</i>
Assist. Prof. Dr. Cenker BİÇER	<i>Kırıkkale University</i>
Assist. Prof. Dr. Demet DOĞAN	<i>Gaziantep University</i>
Assist. Prof. Dr. Derya ADIBELLİ	<i>Akdeniz University</i>
Assist. Prof. Dr. Derya ALKAN	<i>Mugla Sitki Kocman University</i>
Assist. Prof. Dr. Doğuş Emin	<i>Social Sciences University of Ankara</i>
Assist. Prof. Dr. Elçin GÜNAYDIN	<i>Uludag University</i>
Assist. Prof. Dr. Emel KESİM	<i>Bülent Ecevit University</i>

EK LİSTE 3

Assist. Prof. Dr. Emin KÖKSAL	<i>Bahçeşehir University</i>
Assist. Prof. Dr. Erdal EROĞLU	<i>Manisa Celal Bayar University</i>
Assist. Prof. Dr. Erhan ALABAY	<i>Istanbul Aydın University</i>
Assist. Prof. Dr. Fatih Ahmet ERULAŞ	<i>Siirt University</i>
Assist. Prof. Dr. Fatma DIDİN SÖNMEZ	<i>Istanbul Bilgi University</i>
Assist. Prof. Dr. Fatma ÜNLÜ	<i>Erciyes University</i>
Assist. Prof. Dr. Feran AŞUR	<i>Van Yuzuncu Yil University</i>
Assist. Prof. Dr. Fergan KARAER	<i>Ondokuz Mayıs University</i>
Assist. Prof. Dr. Funda AKDURAN	<i>Sakarya University</i>
Assist. Prof. Dr. Gamze D TETİK	<i>Afyon Kocatepe University</i>
Assist. Prof. Dr. Gizem CELEP	<i>Usak University</i>
Assist. Prof. Dr. Gökçe ÖZDEMİR	<i>Gaziantep University</i>
Assist. Prof. Dr. Gökhan OFLUOĞLU	<i>Bülent Ecevit University</i>
Assist. Prof. Dr. Gökşen ARAS	<i>Atilim University</i>
Assist. Prof. Dr. Gülşen GONCAGÜL	<i>Uludag University</i>
Assist. Prof. Dr. Hande Sanem ÇINAR	<i>Istanbul University</i>
Assist. Prof. Dr. Hale H. TURHANGİL ERENLER	<i>Başkent University</i>
Assist. Prof. Dr. Hande MUTLU ÖZTURK	<i>Pamukkale University</i>
Assist. Prof. Dr. Hasan AKSOY	<i>Gaziantep University</i>
Assist. Prof. Dr. Hayrinisa DEMİRCİ BİÇER	<i>Kirikkale University</i>
Assist. Prof. Dr. Hulya ÇAKIR	<i>Bozok University</i>
Assist. Prof. Dr. Hüsametdin ÇETİN	<i>Kirikkale University</i>
Assist. Prof. Dr. İbrahim GÖRÜCÜ	<i>Inonu University</i>
Assist. Prof. Dr. İlker KÖMÜRCÜ	<i>Bülent Ecevit University</i>
Assist. Prof. Dr. İlker POLATOĞLU	<i>Manisa Celal Bayar University</i>
Assist. Prof. Dr. İlkur ÖZKAN	<i>Akdeniz University</i>
Assist. Prof. Dr. İsmet OSMANOĞLU	<i>Trakya University</i>
Assist. Prof. Dr. İtir ERKAN	<i>Istanbul Yeni Yuzyil University</i>
Assist. Prof. Dr. Kadiriye URUÇ PARLAK	<i>Agri Ibrahim Cecen University</i>
Assist. Prof. Dr. Kağan KAYA	<i>Cumhuriyet University</i>
Assist. Prof. Dr. Kazım Onur DEMİRARSLAN	<i>Artvin Coruh University</i>
Assist. Prof. Dr. Kübra ÖNDER	<i>Mehmet Akif Ersoy University</i>
Assist. Prof. Dr. Kübra YAZICI	<i>Gaziosmanpaşa University</i>
Assist. Prof. Dr. Lale Sariye AKAN	<i>Ankara Yıldırım Beyazıt University</i>
Assist. Prof. Dr. Levent AYDIN	<i>Izmir Katip Celebi University</i>
Assist. Prof. Dr. Levent GUNTAY	<i>MEF University</i>
Assist. Prof. Dr. Leyla HACIZADE	<i>Selçuk University</i>
Assist. Prof. Dr. Mehmet Burhanettin COSKUN	<i>Osmaniye Korkut Ata University</i>
Assist. Prof. Dr. Melike TEKİNDAL	<i>Katip Çelebi University</i>
Assist. Prof. Dr. Meltem ERYILMAZ	<i>Atilim University</i>
Assist. Prof. Dr. Mucahit SUTCU	<i>Izmir Katip Celebi University</i>
Assist. Prof. Dr. Mustafa Agah TEKİNDAL	<i>Selçuk University</i>
Assist. Prof. Dr. Muhammet BAHADIR	<i>Afyon Kocatepe Universtiy</i>
Assist. Prof. Dr. Mumtaz Levent AKKOL	<i>Bozok University</i>
Assist. Prof. Dr. Mustafa Ertan AY	<i>Mersin University</i>

EK LİSTE 3

Assist. Prof. Dr. Nazende YILMAZ	<i>Istanbul Medipol University</i>
Assist. Prof. Dr. Nazife GÜRHAN	<i>Mardin Artuklu University</i>
Assist. Prof. Dr. Nazlı GÜRGAN	<i>Yasar University</i>
Assist. Prof. Dr. Nilgün ÖNCÜL	<i>Mugla Sıtkı Kocman University</i>
Assist. Prof. Dr. Nur AYYAZ ÇAVDAROĞLU	<i>Kadir Has University</i>
Assist. Prof. Dr. Nurhan KOCAN	<i>Bartın University</i>
Assist. Prof. Dr. O. Lütfü ÇORBACI	<i>Recep Tayyip Erdoğan University</i>
Assist. Prof. Dr. Orhan Erem ATESAĞAOĞLU	<i>Istanbul Bilgi University.</i>
Assist. Prof. Dr. Özlem AKMAN	<i>İstanbul Sabahattin Zaim University</i>
Assist. Prof. Dr. Özlem DEMİR	<i>Gaziosmanpaşa University</i>
Assist. Prof. Dr. Öznur ÖZDEN	<i>Istanbul University</i>
Assist. Prof. Dr. Ş. Ebru OKUYUCU	<i>Afyon Kocatepe Universtiy</i>
Assist. Prof. Dr. Sanem BERKÜN	<i>Bülent Ecevit University</i>
Assist. Prof. Dr. Sebahat Sinem ÖZYURT ÖKTEN	<i>Iskenderun Technical University</i>
Assist. Prof. Dr. Sedat DURMUSKAYA	<i>Sakarya University</i>
Assist. Prof. Dr. Selen IŞIK MADEN	<i>Süleyman Demirel University</i>
Assist. Prof. Dr. Selim TÜZÜNTÜRK	<i>Uludag University</i>
Assist. Prof. Dr. Semih KUTER	<i>Cankiri Karatekin University</i>
Assist. Prof. Dr. Semra TETİK	<i>Manisa Celal Bayar University</i>
Assist. Prof. Dr. Senay OZGEN	<i>Nigde Ömer Halisdemir University</i>
Assist. Prof. Dr. Serçin Özlem ÇALISKAN	<i>Usak University</i>
Assist. Prof. Dr. Serpil TÜRKLEŞ	<i>Mersin University</i>
Assist. Prof. Dr. Songul KURU	<i>Atılım University</i>
Assist. Prof. Dr. Tuba Özge YAŞAR ERKAL	<i>Namik Kemal University</i>
Assist. Prof. Dr. Tuncay KOSE	<i>Mugla Sıtkı Kocman University</i>
Assist. Prof. Dr. Turgay SIRIN	<i>Istanbul Sabahattin Zaim University</i>
Assist. Prof. Dr. Veysel GÜRHAN	<i>Mardin Artuklu University</i>
Assist. Prof. Dr. Yahya ÖZDOĞAN	<i>Ankara Yıldırım Beyazıt University</i>
Assist. Prof. Dr. Yasin DONMEZ	<i>Karabuk University</i>
Assist. Prof. Dr. Yeliz YEŞİL	<i>Trakya University</i>
Assist. Prof. Dr. Zeliha KAYGISIZ ERTUĞ	<i>Eskisehir Osmangazi University</i>
Assist. Prof. Dr. Zeynep KIRKINCIOGLU	<i>Ataturk University</i>
Assist. Prof. Dr. Açelya Betül GÖNÜLLÜ	<i>Duzce University</i>
Assist. Prof. Dr. Adem UGURLU	<i>Kirklareli University</i>
Assist. Prof. Dr. Ahmet Utku ÖZENSOY	<i>Mus Alparslan University</i>
Assist. Prof. Dr. Alper UZUN	<i>Kahramanmaraş Sütçü İmam University</i>
Assist. Prof. Dr. Aşkın İnci SÖKMEN ALACA	<i>İstanbul Arel University</i>
Assist. Prof. Dr. Atilla ATİK	<i>Yildiz Technical University</i>
Assist. Prof. Dr. Aybuke CEYHUN SEZGİN	<i>Gazi University</i>
Assist. Prof. Dr. Ayhan BABAROĞLU	<i>Hitit University</i>
Assist. Prof. Dr. Aylin AYDIN SAYILAN	<i>Kirklareli University</i>
Assist. Prof. Dr. Aylin BEYOĞLU	<i>Trakya University</i>
Assist. Prof. Dr. Aylin YALÇIN IRMAK	<i>Namık Kemal University</i>
Assist. Prof. Dr. Aysel GÜNDOĞDU	<i>Istanbul Medipol University</i>
Assist. Prof. Dr. Ayşe ELİTOK KESİCİ	<i>Adnan Menderes University</i>

EK LİSTE 3

Assist. Prof. Dr. Ayşe GÖKÇEN KAPUSUZ	<i>Selçuk University</i>
Assist. Prof. Dr. Ayşe KOYUN	<i>Afyon Kocatepe University</i>
Assist. Prof. Dr. Ayşegül ŞENTÜRK	<i>Süleyman Demirel University</i>
Assist. Prof. Dr. Ayşenur AKYAZI	<i>Istanbul Aydın University</i>
Assist. Prof. Dr. Banu KARAŞAH	<i>Artvin Çoruh University</i>
Assist. Prof. Dr. Bengü GÜVEN	<i>Baskent University</i>
Assist. Prof. Dr. Berna AKÇINAR	<i>Işık University</i>
Assist. Prof. Dr. Besra TAŞ	<i>Istanbul Sabahattin Zaim University</i>
Assist. Prof. Dr. Bige ŞİMŞEK İLHAN	<i>Amasya University</i>
Assist. Prof. Dr. Birol BAKI	<i>Sinop University</i>
Assist. Prof. Dr. Bora YENİHAN	<i>Kırklareli University</i>
Assist. Prof. Dr. Buket CANDAN	<i>Cankiri Karatekin University</i>
Assist. Prof. Dr. Bülent GÜNCELER	<i>Okan University</i>
Assist. Prof. Dr. Cemal POLAT	<i>Namık Kemal University</i>
Assist. Prof. Dr. Cenker BİÇER	<i>Kırıkkale University</i>
Assist. Prof. Dr. Çağla SENELER	<i>Yeditepe University</i>
Assist. Prof. Dr. Çağrı Barış KASAP	<i>Gelişim University</i>
Assist. Prof. Dr. Demirali Yaşar ERGİN	<i>Trakya University</i>
Assist. Prof. Dr. Deniz ÇELİK	<i>Bartın University</i>
Assist. Prof. Dr. Derya ADIBELLİ	<i>Akdeniz University</i>
Assist. Prof. Dr. Derya ATLAY IŞIK	<i>Muğla Sıtkı Koçman University</i>
Assist. Prof. Dr. Derya KARABURUN DOĞAN	<i>Inonu University</i>
Assist. Prof. Dr. Derya SARI	<i>Artvin Coruh University</i>
Assist. Prof. Dr. Derya YORGANCIOĞLU	<i>Özyeğin University</i>
Assist. Prof. Dr. Diler US ALTAY	<i>Ordu University</i>
Assist. Prof. Dr. Doğanay YENER	<i>Istanbul University</i>
Assist. Prof. Dr. Ebru Emine ŞÜKÜROĞLU	<i>Gumushane University</i>
Assist. Prof. Dr. Ebru GÜVELİ	<i>Recep Tayyip Erdoğan University</i>
Assist. Prof. Dr. Elçin ESMER	<i>Mersin University</i>
Assist. Prof. Dr. Elif DİRİMEŞE	<i>Bülent Ecevit University</i>
Assist. Prof. Dr. Elif ŞEŞEN	<i>Niğde Ömer Halisdemir University</i>
Assist. Prof. Dr. Elif TAŞLIDERE	<i>Bezmiâlem Vakıf University</i>
Assist. Prof. Dr. Emine YILMAZ BOLAT	<i>Mersin University</i>
Assist. Prof. Dr. Emre YÖRÜK	<i>Yeni Yuzyıl University</i>
Assist. Prof. Dr. Engin GÜNEY	<i>Ondokuz Mayıs University</i>
Assist. Prof. Dr. Erkan TETİK	<i>Usak University</i>
Assist. Prof. Dr. Esra TÜRK	<i>Istanbul Sabahattin Zaim University</i>
Assist. Prof. Dr. Feray ÜNLÜ	<i>Atilim University</i>
Assist. Prof. Dr. Feyza DEREKÖY	<i>Çanakkale Onsekiz Mart University</i>
Assist. Prof. Dr. Fulya ASLAY	<i>Erzincan University</i>
Assist. Prof. Dr. Gökçe CEREV	<i>Fırat University</i>
Assist. Prof. Dr. Göknur SÖZÜNERİ	<i>Istanbul Kültür University</i>
Assist. Prof. Dr. Gönül ONUR SEZER	<i>Uludağ University</i>
Assist. Prof. Dr. Gözde YANGINLAR	<i>Beykent University</i>
Assist. Prof. Dr. Gül ERGÜN	<i>Mehmet Akif Ersoy University</i>

EK LİSTE 3

Assist. Prof. Dr. Gülay ALTUN UĞRAŞ	<i>Mersin University</i>
Assist. Prof. Dr. Gülay KARAMAN	<i>Bartın University</i>
Assist. Prof. Dr. H. Nihat GÜNEŞ	<i>Bitlis Eren University</i>
Assist. Prof. Dr. Haluk YÜCEL	<i>Düzce University</i>
Assist. Prof. Dr. Hande Sanem ÇINAR ALTINÇEKİÇ	<i>Istanbul University</i>
Assist. Prof. Dr. Hanife AKGÜL	<i>Çanakkale Onsekiz Mart University</i>
Assist. Prof. Dr. Hatice Gonca USTA	<i>Cumhuriyet University</i>
Assist. Prof. Dr. Hatice VATANSEVER BAYRAKTAR	<i>İstanbul Sabahattin Zaim University</i>
Assist. Prof. Dr. Hayrinisa DEMİRCİ BİÇER	<i>Kırıkkale University</i>
Assist. Prof. Dr. Hicabi ERSOY	<i>Istanbul Ticaret University</i>
Assist. Prof. Dr. Hüseyin ÇAVUŞOĞLU	<i>Bülent Ecevit University</i>
Assist. Prof. Dr. İbrahim CAN	<i>Gumushane University</i>
Assist. Prof. Dr. İbrahim YÜCEDAĞ	<i>Mardin Artuklu University</i>
Assist. Prof. Dr. İlkey KESER	<i>Akdeniz University</i>
Assist. Prof. Dr. İlker KÖSE	<i>Istanbul Medipol University</i>
Assist. Prof. Dr. Kadiriye URUÇ PARLAK	<i>Agri Ibrahim Cecen University</i>
Assist. Prof. Dr. Kazım Onur DEMİRARSLAN	<i>Artvin Çoruh University</i>
Assist. Prof. Dr. Kevser Sevgi ÜNAL	<i>Korkut Ata University</i>
Assist. Prof. Dr. Kumru UYAR	<i>Nuh Naci Yazgan University</i>
Assist. Prof. Dr. Kutluhan BOZKURT	<i>Özyeğin University</i>
Assist. Prof. Dr. Levent AYDIN	<i>Izmir Katip Çelebi University</i>
Assist. Prof. Dr. Leyla BAHAR	<i>Mersin University</i>
Assist. Prof. Dr. M. Selen ABBASOĞLU ERMIYAGIL	<i>European University of Lefke</i>
Assist. Prof. Dr. M. Sencer BULUT ÖZSEZER	<i>Çukurova University</i>
Assist. Prof. Dr. Mehmet DEMİRALAY	<i>Artvin Çoruh University</i>
Assist. Prof. Dr. Nazan ATALAN	<i>Marmara University</i>
Assist. Prof. Dr. Mehmet Nadir ÖZDEMİR	<i>Kastamonu University</i>
Assist. Prof. Dr. Melek ASTAR	<i>Fatih Sultan Mehmet Foundation University</i>
Assist. Prof. Dr. Meral PER	<i>Abant İzzet Baysal University</i>
Assist. Prof. Dr. Meryem Elif ÇELEBİ	<i>Akdeniz University</i>
Assist. Prof. Dr. Muhammed Ernur AKINER	<i>Akdeniz University</i>
Assist. Prof. Dr. Murat ESMERAY	<i>Erciyes University</i>
Assist. Prof. Dr. Murat YILMAZ	<i>Boğaziçi University</i>
Assist. Prof. Dr. Mustafa Ertan AY	<i>Mersin University</i>
Assist. Prof. Dr. Mustafa KABATAŞ	<i>Kastamonu University</i>
Assist. Prof. Dr. Nazan AVCIOĞLU KALEBEK	<i>Gaziantep University</i>
Assist. Prof. Dr. Nevşet Gül ÇANAKÇIOĞLU	<i>Özyeğin University</i>
Assist. Prof. Dr. Nuray Hilal TUĞAN	<i>Başkent University</i>
Assist. Prof. Dr. Nurdan KUŞAT	<i>Suleyman Demirel University</i>
Assist. Prof. Dr. Nurgül ÖZDEMİR	<i>Adnan Menderes University</i>
Assist. Prof. Dr. Nüket AFAT	<i>İstanbul Sabahattin Zaim University</i>
Assist. Prof. Dr. Oylum GÖKKURT BAKI	<i>Sinop University</i>
Assist. Prof. Dr. Öncü BAŞOĞLAN AVŞAR	<i>Muğla Sıtkı Koçman University</i>
Assist. Prof. Dr. Özgür CENGİZ	<i>Afyon Kocatepe University</i>
Assist. Prof. Dr. Özgür TOPKAYA	<i>Canakkale Onsekiz Mart University</i>

EK LİSTE 3

Assist. Prof. Dr. Özlem YAZICI	<i>Okan University</i>
Assist. Prof. Dr. Öznur ÖZDEN	<i>İstanbul University</i>
Assist. Prof. Dr. Öznur YAZICI	<i>Karabuk University</i>
Assist. Prof. Dr. Parisa GÖKER	<i>Bilecik Seyh Edebali University</i>
Assist. Prof. Dr. Perihan ŞIKER	<i>Niğde Ömer Halisdemir University</i>
Assist. Prof. Dr. Pınar YALÇIN BALÇIK	<i>Hacettepe University</i>
Assist. Prof. Dr. RN Nurten TAŞDEMİR	<i>Bülent Ecevit University</i>
Assist. Prof. Dr. Sabahat Çiğdem BAĞCI	<i>Isik University</i>
Assist. Prof. Dr. Salih KALAYCI	<i>Bursa Technical University</i>
Assist. Prof. Dr. Seda ÖZEKİCİOĞLU	<i>Cumhuriyet University</i>
Assist. Prof. Dr. Selçuk ALTAÇLI	<i>Yuzuncu Yil University</i>
Assist. Prof. Dr. Selçuk BUYRUKOĞLU	<i>Ömer Halisdemir University</i>
Assist. Prof. Dr. Semail ÜLGEN	<i>Antalya Bilim University</i>
Assist. Prof. Dr. Sena ERDEN AYHÜN	<i>Çanakkale Onsekiz Mart University</i>
Assist. Prof. Dr. Sercan ÖZKELEŞ	<i>Ordu University</i>
Assist. Prof. Dr. Serden BAŞAK	<i>Artvin Çoruh University</i>
Assist. Prof. Dr. Serpil CİLİNGİROĞLU ANLI	<i>Kirikkale University</i>
Assist. Prof. Dr. Serpil TÜRKLEŞ	<i>Mersin University</i>
Assist. Prof. Dr. Serpil Yüksel	<i>Necmettin Erbakan University</i>
Assist. Prof. Dr. Sevda TÜRKİŞ	<i>Ordu University</i>
Assist. Prof. Dr. Sevil BÜLBÜL	<i>Gazi University</i>
Assist. Prof. Dr. Seyran PALABAŞ UZUN	<i>Kahramanmaraş Sütçü İmam University</i>
Assist. Prof. Dr. Sibel AYDEMİR	<i>Bülent Ecevit University</i>
Assist. Prof. Dr. Soner ÇELEN	<i>Namik Kemal University</i>
Assist. Prof. Dr. Sonyel OFLAZOĞLU	<i>Mustafa Kemal University</i>
Assist. Prof. Dr. Susan Beth ROTTMANN	<i>Özyeğin University</i>
Assist. Prof. Dr. Şengül ŞANLIER	<i>Recep Tayyip Erdogan University</i>
Assist. Prof. Dr. Şevki Özer AKÇAY	<i>Ataturk University</i>
Assist. Prof. Dr. Tugba AKTAR	<i>Alanya Alaaddin Keykubat University</i>
Assist. Prof. Dr. Tuğba DEMİRİZ YÜCER	<i>Karabuk University</i>
Assist. Prof. Dr. Tuna UYSAL	<i>Mimar Sinan Fine Arts University</i>
Assist. Prof. Dr. Turgay DERE	<i>Adiyaman University</i>
Assist. Prof. Dr. Türkan FIRINCI ORMAN	<i>Baskent University</i>
Assist. Prof. Dr. Ufuk Eren VAPUR	<i>Nişantaşı Universty</i>
Assist. Prof. Dr. Ümit SORMAZ	<i>Necmettin Erbakan University</i>
Assist. Prof. Dr. Veysel Fuat HATIPOĞLU	<i>Muğla Sıtkı Koçman University</i>
Assist. Prof. Dr. Yeliz YEŞİL	<i>Trakya University</i>
Assist. Prof. Dr. Zafer SAĞDIÇ	<i>Yildiz Technical University</i>
Assist. Prof. Dr. Zehra EMİNAĞAOĞLU	<i>Artvin Çoruh University</i>
Assist. Prof. Dr. ZEKİYE ÇILDIR GÖKASLAN	<i>Artvin Çoruh University</i>
Assist. Prof. Dr. Zeliha KAYGISIZ ERTUĞ	<i>Eskisehir Osmangazi University</i>
Dr. A. Filiz YETİMAKMAN	<i>Hacettepe University</i>
Dr. Ali Can YILMAZ	<i>Cukurova University</i>
Dr. Bahadır TAŞLIDERE	<i>Malatya Education and Research Hospital</i>
Dr. Beyza ÇERMİKLİ	<i>Mescioğlu Engineering and Consulting</i>

EK LİSTE 3

	<i>Inc.</i>
Dr. Bio. Gülşen GÖNEY	<i>Gazi University</i>
Dr. Cemile DEDE	<i>Sakarya University</i>
Dr. Çetin YAĞCILAR	<i>Namık Kemal University</i>
Dr. Deniz ÇOLAKKADIOĞLU	<i>Çukurova University</i>
Dr. Deniz ŞAHİN TAŞ	<i>Gazi University</i>
Dr. Didem DÖĞER	<i>Diyarbakır High School of Fine Arts</i>
Dr. Didem GÖKTÜRK	<i>Istanbul University</i>
Dr. Dilek ATİK	<i>Malatya Education and Research Hospital</i>
Dr. Elvan ADA	<i>Elvan ADA</i>
Dr. Eren ERKILIÇ	<i>Recep Tayyip Erdoğan University</i>
Dr. Fatma KÖYBAŞI	<i>Cumhuriyet University</i>
Dr. Gamze YORGANCIOĞLU TARCAN	<i>Hacettepe University</i>
Dr. Halit KIZILET	<i>Health Sciences University</i>
Dr. Hasan RÜSTEMOĞLU	<i>Cyprus International University</i>
Dr. Hatice SÖNMEZ TÜREL	<i>Ege University</i>
Dr. Hüseyin BOZ	<i>Akdeniz University</i>
Dr. Imren KUTLU	<i>Eskisehir Osmangazi University</i>
Dr. Irmak ŞAH	<i>Gebze Technical University</i>
Dr. Ismail ATABAY	<i>Balıkesir University</i>
Dr. İbrahim Halil YANARDAĞ	<i>Harran University</i>
Dr. İpek ALTUĞ TURAN	<i>Ege University</i>
Dr. Kenan SAKA	<i>University of Uludağ</i>
Dr. Kübra Dilek TANKIZ	<i>Inonu University</i>
Dr. Mehmet Cem ODACIOĞLU	<i>Bartın University</i>
Dr. Mehmet VAROL	<i>Mugla Sitki Kocman University</i>
Dr. Nur ÜTKÜR	<i>Istanbul University</i>
Dr. Salih UÇAK	<i>Republic of Turkey Ministry of National Education</i>
Dr. Sevinç TUNALI	<i>Industry and Technology Institute</i>
Dr. Sırrı UYANIK	<i>KTO Karatay University</i>
Dr. Yeşim AKPINAR KARA	<i>Ufuk University</i>
Dr. Zeynep ÖMEROĞULLARI BAŞYİĞİT	<i>Usak University</i>
Lecturer Dr. Saliha TUPAL YEKE	<i>Faruk Saraç Vocational School of Design</i>
Lecturer Dr. Emine GENÇ	<i>Bartın University</i>
Lecturer Dr. Melda Medine GÜLEÇ	<i>Uludag University</i>
Lecturer Dr. H. Tezcan UYSAL	<i>Bülent Ecevit University</i>
Lecturer Dr. Abdulkerim TURKAYA	<i>Ondokuz Mayıs University</i>
Lecturer Dr. Barış ÇAVUŞ	<i>Adnan Menderes University</i>
Lecturer Dr. Cengiz KARAGÖZ	<i>Namık Kemal University</i>
Lecturer Dr. Cihan GOKCOL	<i>Kirklareli University</i>
Lecturer Dr. Davut UYSAL	<i>Anadolu University</i>
Lecturer Dr. Demet GÜNAL ERTAŞ	<i>İstanbul Technical University</i>
Lecturer Dr. Dilara BALCI GÜLPINAR	<i>Yaşar University</i>
Lecturer Dr. Funda AKDURAN	<i>Sakarya University</i>

EK LİSTE 3

Lecturer Dr. Gonca KÖSE	<i>Dokuz Eylül University</i>
Lecturer Dr. Mehmet Serkan YATAĞAN	<i>Istanbul Technical University</i>
Lecturer Dr. Ebru DEVECİ	<i>Hasan Kalyoncu University</i>
Lecturer Dr. Ezgi TOKDİL	<i>Dokuz Eylül University</i>
Lecturer Dr. Gamze YORGANCIOĞLU TARCAN	<i>Hacettepe University</i>
Lecturer Dr. Gökçen İLHAN İLDİZ	<i>Namık Kemal University</i>
Lecturer Dr. Hamza Malik OKUYAN	<i>Mustafa Kemal University</i>
Lecturer Dr. İlker KILIÇ	<i>Bozok University</i>
Lecturer Dr. Mehmet Emin ŞEN	<i>Inonu University</i>
Lecturer Dr. Meryem METINOGLU	<i>Namık Kemal University</i>
Lecturer Dr. Miraç KILIÇ	<i>Adiyaman University</i>
Lecturer Dr. Özkan CANAY	<i>Sakarya University</i>
Lecturer Dr. Hasan ÇİFTÇİ	<i>Harran University</i>
Lecturer Dr. Pınar BİÇİCİ ÇETİNKAYA	<i>Inonu University</i>
Lecturer Dr. Sumeyye OZMEN	<i>Usak University</i>
Lecturer Dr. Ş. Orçun AKGÜN	<i>Inonu University</i>
Lecturer Dr. Zümra ÜLKER DÖRTTEPE	<i>Uşak University</i>
Res. Asist. Dr. Gamze DEMİRCİ	<i>Mimar Sinan Fine Arts University</i>
Res. Assist. Dr. Ahmet YARIŞ	<i>Dicle University</i>
Res. Assist. Dr. Asiye ŞAHİN	<i>Ağrı İbrahim Çeçen University</i>
Res. Assist. Dr. Ayşegül UÇKUN	<i>KTO Karatay University</i>
Res. Assist. Dr. Bekir TANYERİ	<i>Kırıkkale University</i>
Res. Assist. Dr. Beyza ONUR	<i>Gazi University</i>
Res. Assist. Dr. Bilal MACUN	<i>Ağrı İbrahim Çeçen University</i>
Res. Assist. Dr. Büşra KOÇAK MACUN	<i>Ağrı İbrahim Çeçen University</i>
Res. Assist. Dr. Canan BİRİMOĞLU OKUYAN	<i>Mustafa Kemal University</i>
Res. Assist. Dr. Caner ÇAKI	<i>Inonu University</i>
Res. Assist. Dr. Damla YÜKSEL BALIM	<i>Mersin University</i>
Res. Assist. Dr. Deniz Ozge AYTAÇ	<i>Amasya University</i>
Res. Assist. Dr. Dilan Deniz KOYUNCU	<i>Mersin University</i>
Res. Assist. Dr. Fatma ÜNLÜ	<i>Erciyes University</i>
Res. Assist. Dr. Figen GİRGIN	<i>Trakya University</i>
Res. Assist. Dr. Mücahit BORA	<i>Dokuz Eylül University</i>
Res. Assist. Dr. Duygu ALTINOLUK	<i>Ege University</i>
Res. Assist. Dr. Elif YUCE	<i>Dokuz Eylül University</i>
Res. Assist. Dr. Emre KUZULUGIL	<i>Ibrahim Çeçen University of Ağrı</i>
Res. Assist. Dr. Eray ÖNLER	<i>Namık Kemal University</i>
Res. Assist. Dr. Eray ŞAHBAZ	<i>Karabuk University</i>
Res. Assist. Dr. Erkan ÖZTÜRK	<i>Ondokuz Mayıs University</i>
Res. Assist. Dr. Esra DOĞAN	<i>Eskisehir Osmangazi University</i>
Res. Assist. Dr. Firdevs YÖNET	<i>Nevşehir Hacı Bektaş Veli University</i>
Res. Assist. Dr. Fulden Nuray KÜÇÜKERGİN	<i>Gazi University</i>
Res. Assist. Dr. Gamze ALP	<i>Akdeniz University</i>
Res. Assist. Dr. Günsu Yılma SAKALAR	<i>Yıldız Technical University</i>
Res. Assist. Dr. Hüseyin KUTBAY	<i>Adnan Menderes University</i>

EK LİSTE 3

Res. Assist. Dr. İnci SANDALCI	<i>Dumlupınar University</i>
Res. Assist. Dr. Makbulenur BEKAR	<i>Karadeniz Technical University</i>
Res. Assist. Dr. Mehmet Behzat TURAN	<i>Erciyes University</i>
Res. Assist. Dr. Mehmet Sadık AYDIN	<i>Marmara University</i>
Res. Assist. Dr. Melih KURNALI	<i>Kirikkale University</i>
Res. Assist. Dr. Melike DEMİRCİ	<i>Osmaniye Korkut Ata University</i>
Res. Assist. Dr. Merve KIZILIRMAK	<i>Karabük University</i>
Res. Assist. Dr. Mustafa YILMAZ	<i>Necmettin Erbakan University</i>
Res. Assist. Dr. Burcu AK	<i>Cukurova University</i>
Res. Assist. Dr. Seher Gülşah TOPUZ	<i>Eskisehir Osmangazi University</i>
Res. Assist. Dr. Sakine FIRINCIK	<i>Karabük University</i>
Res. Assist. Dr. Seda YETİMOĞLU	<i>Necmettin Erbakan University</i>
Res. Assist. Dr. Selami GÜLTEKİN	<i>Akdeniz University</i>
Res. Assist. Dr. Serap Nur DUMAN	<i>Kirikkale University</i>
Res. Assist. Dr. Serhat ŞAMİL	<i>Karamanoğlu Mehmetbey University</i>
Res. Assist. Dr. Şule SAYAN	<i>Inonu University</i>
Res. Assist. Dr. Ulvi SANDALCI	<i>Dumlupınar University</i>
Res. Assist. Dr. Ümit KARAKAŞ	<i>Mersin University</i>
Res. Assist. Dr. Yasemin ERTAŞ	<i>Gazi University</i>
Res. Assist. Dr. Zeliha YAMAN	<i>Mersin University</i>
Instructor Dr. Ahmet SABAN	<i>Mustafa Kemal University</i>
Instructor Dr. Manolya AŞIK ÖZTÜRK	<i>Trakya University</i>
Instructor Dr. Aysun GÜZEL	<i>Mehmet Akif Ersoy University</i>
Instructor Dr. Hüseyin AKKAYA	<i>Gaziosmanpaşa University</i>
PhD Candidate Fadime ÇOBAN	<i>Sakarya University</i>
PhD Candidate Metin SAYGILI	<i>Sakarya University</i>
PhD Candidate Tringa SHPENDI	<i>Trakya University</i>
PhD Student Fatma TANRIKULU	<i>Sakarya University</i>
PhD Student Funda EROL	<i>Sakarya University</i>
PhD Student Murat COKAKLI	<i>Mersin University</i>
PhD Student Sinem YALNIZOĞLU	<i>Sakarya University</i>
PhD Student Yunus AKAN	<i>Mersin University</i>
MSc Nasibe Yagmur FİLİZ	<i>Sakarya University</i>
MSc Sanem YILDIRIM	<i>Bülent Ecevit University</i>
MSc Student Ezgi ÇOKAKLI	<i>Mersin University</i>
MSc Student Nigar AK TÜRKİŞ	<i>Bülent Ecevit University</i>
MSc Sümeyra TOPAL	<i>Sakarya University</i>
MSc. Aysel YORGANCILAR	<i>Transitional Zone Agricultural Research Institute</i>
MSc. İlgin AKPINAR	<i>Istanbul University</i>
MSc. Melih SAVRAN	<i>Izmir Katip Çelebi University</i>
MSc. Ozcan YORGANCILAR	<i>Transitional Zone Agricultural Research Institute</i>
MSc. Zeynep SIREL	<i>Transitional Zone Agricultural Research Institute</i>
Assist. Specialist Aslıhan ASLIM	<i>Yeditepe University</i>

EK LİSTE 3

Ali Çağlar GULLUCE	<i>Atatürk University</i>
Azize ŞEYHO	<i>Mersin University</i>
B.Sc. Gizem GÜLFİDAN	<i>Marmara University</i>
B.Sc. Özlem SEFER	<i>Istanbul Yeni Yuzyil University</i>
Beste TURANLI	<i>Istanbul Medeniyet University</i>
MSc. Bülent SAPAZ	<i>Hacettepe University</i>
Çağlar GÖKIRMAKLI, Food Engineer (B.Sc., M.Sc.)	<i>Gaziantep Exchange Board</i>
Economist and Ph.D student Dilek DURAK	<i>Bursa Technical University</i>
Feyza SOMTAŞ LEKESİZCAN	<i>Nuh Naci Yazgan University</i>
Gülten TUNABOYLU	<i>Uludağ University</i>
Handenur GÜNDOĞDU	<i>Sakarya University</i>
İbrahim DERİN	<i>Toki European Houses Middle School</i>
İlhan BİLİCİ	<i>Bayburt University</i>
Jana LIBOVÁ	<i>Univerzita Konštantína Filozofa v Nitre</i>
Lukáš BALUŠKA	<i>Univerzita Konštantína Filozofa v Nitre</i>
M.A, Deniz Ezgi AVCI VILE	<i>Istanbul Şehir University</i>
Mefule FINDIKÇI	<i>Istanbul Ticaret University</i>
Mehmed KAPTANOĞLU	<i>Yeditepe University</i>
Murat AYDOĞMUS	<i>Eskisehir Osmangazi University</i>
Mücahit AYDIN	<i>Necmettin Erbakan University</i>
Nurettin Hasan YEL	<i>Eco Pro Project Consultant</i>
Orhan ULUDAĞ	<i>Cyprus International University</i>
Ozan AYAKDAŞ	<i>Izmir Katip Çelebi University</i>
Prelector Çiğdem KAYA	<i>Uşak University</i>
Prelector Ebru BAŞKAYA	<i>Uşak University</i>
Prelector Perihan SOLMAZ	<i>Uşak University</i>
Project Assistant Hamit EKİNCİ	<i>Gebze Technical University</i>
Project Assistant Taner ŞAR	<i>Gebze Technical University</i>
Seçil DURMUŞ	<i>Cumhuriyet Middle School at Rize</i>
Sibel Demirarslan	<i>Kocaeli University</i>
Sinan GİRGIN	<i>Bağcılar Massit Vocational Training Center</i>
Tayfun TÜRKÖĞLU	<i>Military Factory Management in Kayseri</i>
Turhan ULUDAĞ	<i>Istanbul Technical University</i>

GECE KİTAPLIĞI YAYINEVİ AKADEMİK YAYINLAR EDITÖR HAVUZU

<u>SOSYAL, BEŞERİ VE İDARİ BİLİMLER</u>	<u>EĞİTİM BİLİMLERİ</u>
Prof. Dr. Nuray Girginer	Prof. Dr. Aslı Uz Baş
Prof. Dr. Mehmet İnbaşı	Prof. Dr. Güldane Araz Ay
Prof. Dr. Niyazi Ayhan	Doç. Dr. Huriye Deniz Çeliker
Prof. Dr. Metin Özkul	Doç. Dr. Tarkan Yazıcı
Prof. Dr. Hülya Gür	Doç. Dr. Dilek Çağırğan Gülten
Prof. Dr. Sema Önal	Dr. Öğr. Üyesi Behsat Savaş
Doç. Dr. Cuma Çataloluk	Dr. Öğr. Üyesi Eyup Yünkül
Doç. Dr. Levent Çinko	Dr. Öğr. Üyesi Figen Durkaya
Doç. Dr. Havva Eylem Kaya	Dr. Öğr. Üyesi Ahmet Utku Özensoy
Doç. Dr. Asli Göncü Köse	Dr. Öğr. Üyesi Abdullah Mert
Doç. Dr. Fatma Zehra Fidan	Dr. Öğr. Üyesi Arslan Bayram
Doç. Dr. Zeliha Yazıcı	Dr. Öğr. Üyesi Bünyamin Sarıkaya
Doç. Dr. Mustafa Taner Şengün	Dr. Öğr. Üyesi Yusuf Demir
Doç. Dr. Ayşe Çelik Yetim	Dr. Öğr. Üyesi Meltem Eryılmaz
Doç. Dr. Pınar Pehlivan	Dr. Öğr. Üyesi Hale H. Turhangil Erenler
Doç. Dr. Adem Sağır	Dr. Öğr. Üyesi Bengü Türkoğlu
Doç. Dr. Mustafa Çapar	Dr. (Ph.D) Safiye Karababa
Doç. Dr. Şeyda Barlas Bozkuş	Dr. (Ph.D) Ersin Turhal
Doç. Dr. Leyla Leblebici Koçer	Dr. (Ph.D) Nur Ütkür
Doç. Dr. Mehmet Kaya	Dr. (Ph.D) Mustafa Özdere
Doç. Dr. Ali Ekber Gülersoy	Dr. (Ph.D) Eda Ermağan Çağlar
Doç. Dr. Özgür Sarı	Dr. (Ph.D) Onur Hayırlı
Doç. Dr. Mustafa Bekmezci	Dr. (Ph.D) Sevinç Tunalı
Dr. Öğr. Üyesi Ayça Eminoğlu	
Dr. Öğr. Üyesi Emel İftar Işıklı	<u>FEN BİLİMLERİ VE MATEMATİK</u>
Dr. Öğr. Üyesi Bilgehan Tekin	Prof. Dr. Hakan Köçkar
Dr. Öğr. Üyesi Hüseyin Dinç	Doç. Dr. Ferdi Akman
Dr. Öğr. Üyesi Necibe Şen	Doç. Dr. Hasan Genç
Dr. Öğr. Üyesi İrfan Akkoç	Dr. Öğr. Üyesi Fatih Doğan
Dr. Öğr. Üyesi Engin Boztepe	Dr. Öğr. Üyesi Ebru Akkemik
Dr. Öğr. Üyesi Kurtuluş Bozkurt	Dr. Öğr. Üyesi Aykut Demirçalı
Dr. Öğr. Üyesi Emine Genç	Dr. Öğr. Üyesi Ali Özhan Akyüz
Dr. Öğr. Üyesi Bülent Güner	Dr. Öğr. Üyesi Mehtap Dönmez Şahin
Dr. Öğr. Üyesi Erhan İşcan	Dr. Öğr. Üyesi Hacer Pir Gümüş
Dr. Öğr. Üyesi M. Burhanettin Coşkun	Dr. Öğr. Üyesi Mehmet Yavuz
Dr. Öğr. Üyesi Cihat Kartal	Dr. Öğr. Üyesi Tolga Zaman
Dr. Öğr. Üyesi Şerafettin Erten	Dr. Öğr. Üyesi Mine Sulak
Dr. Öğr. Üyesi Şahin Bulut	Dr. Öğr. Üyesi Kadriye Uruç Parlak
Dr. Öğr. Üyesi M. Serhat Öztürk	Dr. (Ph.D) Fehmi Bardak
Dr. Öğr. Üyesi Emine Şener	Dr. (Ph.D) Güllü Kaymak
Dr. Öğr. Üyesi Gökhan Kerse	Dr. (Ph.D) Irmak Şah
Dr. Öğr. Üyesi Gökmen Kantar	Dr. (Ph.D) Nermin Kutlu
Dr. Öğr. Üyesi Sevtap Sarioğlu Uğur	Dr. (Ph.D) Ufuk Özer
Dr. Öğr. Üyesi Osman Nuri Şahin	Dr. (Ph.D) Şaban Keskin
Dr. Öğr. Üyesi Ece Kuzulu	Dr. (Ph.D) Ümit Hüseyin Kaynar
Dr. Öğr. Üyesi A. Buğra Hamşioğlu	Dr. (Ph.D) Merve Keskin
Dr. Öğr. Üyesi Atıl Cem Çiçek	Dr. (Ph.D) Mert Soysal
Dr. Öğr. Üyesi Burcu Oralhan	Dr. (Ph.D) Celal Bal

EK LİSTE 4

Dr. Öğr. Üyesi Haşim Bağcı
Dr. Öğr. Üyesi Cemal İnce
Dr. Öğr. Üyesi Emrah Keskin
Dr. Öğr. Üyesi Ensar Ağırman
Dr. Öğr. Üyesi Cemal Sevindi
Dr. Öğr. Üyesi Fatih Taştan
Dr. Öğr. Üyesi Harun Reşit Bağcı
Dr. Öğr. Üyesi Hülya Öztekin
Dr. Öğr. Üyesi Banu Alan Sümer
Dr. Öğr. Üyesi Berna Arslan
Dr. Öğr. Üyesi Erhan Arslan
Dr. Öğr. Üyesi Azize Esmeray
Dr. Öğr. Üyesi Ercan Karaçar
Dr. Öğr. Üyesi Kamil Doğançcı
Dr. Öğr. Üyesi Hacı Murat Arabacı
Dr. Öğr. Üyesi Feridun Nizam
Dr. Öğr. Üyesi Melike Tekindal
Dr. Öğr. Üyesi Yunus Emre Tansü
Dr. Öğr. Üyesi Aysun Atagan Çetin
Dr. Öğr. Üyesi Selcen Özyurt Ulutaş
Dr. Öğr. Üyesi Savaş Maraşlı
Dr. Öğr. Üyesi Işıl Kalaycı
Dr. Öğr. Üyesi Esmâ Esgin Günder
Dr. Öğr. Üyesi Aslı Özpolat
Dr. Öğr. Üyesi Rumeysa Akgün
Dr. Öğr. Üyesi Serdar Saygılı
Dr. Öğr. Üyesi Buket Candan
Dr. Öğr. Üyesi Akin Temür
Dr. Öğr. Üyesi Ahmet Vatan
Dr. Öğr. Üyesi Cemile Çetin
Dr. Öğr. Üyesi Burcu Gezer Şen
Dr. Öğr. Üyesi Cemal Öztürk
Dr. Öğr. Üyesi Ayşe Nur Buyruk Akbaba
Dr. (Ph.D) Bekir Eşitti
Dr. (Ph.D) Kadir Tutkavul
Dr. (Ph.D) Ömer Faruk Rençber
Dr. (Ph.D) Muhammed Kürşad Dursun
Dr. (Ph.D) Nazlıgül Gülcan
Dr. (Ph.D) Nilay Karasakal
Dr. (Ph.D) Ali Çakırbaş
Dr. (Ph.D) Habibe Akçay Bekiroğlu
Dr. (Ph.D) Niyazi Ayhan
Dr. (Ph.D) Serap Can
Dr. (Ph.D) Ferat Kaya
Dr. (Ph.D) Mehmet Songur
Dr. (Ph.D) Berkant Dulkadir
Dr. (Ph.D) Gözde Sunal

MÜHENDİSLİK

Prof. Dr. Murat Hatipoğlu
Prof. Dr. Mustafa Bayram
Prof. Dr. Abdi Kükner

Dr. (Ph.D) Gözde Karabulut
Dr. (Ph.D) Savaş Topal
Dr. (Ph.D) Fatih Fazlıoğlu
Dr. (Ph.D) Adeyinka Temitope Aina

FİLOLOJİ

Doç. Dr. Fatma Öztürk Dağabakan
Dr. Öğr. Üyesi İlyas Akman
Dr. Öğr. Üyesi Ayla Oğuz
Dr. Öğr. Üyesi Kağan Kaya
Dr. (Ph.D) Yalçın Kayalı
Dr. (Ph.D) Salih Uçak
Dr. Öğr. Üyesi Belgin Bağırlar

GÜZEL SANATLAR

Prof. Dr. Jonnie Lynn Jacobs-Percer
Prof. Robert L. Elliott
Prof. Dr. Aytekin Albuz
Prof. Dr. Nurdan Karasu Gökçe
Assoc. Prof. Dr. David Turgeon
Doç. Dr. Kader Sürmeli
Doç. Dr. Sinan Sönmez
Doç. Dr. Aylin Beyoğlu
Doç. Dr. Ayşegül Koyuncu Okca
Dr. Öğr. Üyesi Şirin Karadeniz Güney
Dr. Öğr. Üyesi Hatice Nilüfer Süzen
Dr. Öğr. Üyesi Serenat İstanbullu
Dr. Öğr. Üyesi Sercan Özkeleş
Dr. Öğr. Üyesi Betül Serbest Yılmaz
Dr. Öğr. Üyesi Günsu Yılma Şakalar
Dr. Öğr. Üyesi Tuba Korkmaz
Dr. Öğr. Üyesi Duygu Ulusoy Yılmaz
Dr. (Ph.D) Çimen Bayburtlu
Dr. (Ph.D) Alper Er

HUKUK

Doç. Dr. Nimet Özbek

İLAHİYAT

Prof. Dr. Ramazan Biçer
Doç. Dr. Nurten Kimter
Doç. Dr. Mustafa Altunkaya
Dr. Öğr. Üyesi Ali Fidan
Dr. Öğr. Üyesi Ahmet Özdemir
Dr. Öğr. Üyesi Muhammed Akdoğan

MİMARLIK, PLANLAMA VE TASARIM

Prof. Dr. Latif Gürkan Kaya
Doç. Dr. Şerife Tali
Dr. Öğr. Üyesi Alper Bodur
Dr. Öğr. Üyesi Parisa Göker
Dr. Öğr. Üyesi Tuğba Düzenli

EK LİSTE 4

Prof. Dr. Ahmet Erdal Osmanlıođlu
Doç. Dr. Tuđrul Oktay
Doç. Dr. Seval Sevgi Kırdar
Doç. Dr. Fatih Dikbař
Doç. Dr. Gökhan řakar
Doç. Dr. Reyhan İrkin
Doç. Dr. Züleyha Deđirmenci
Doç. Dr. Nazife Erarslan Dođan
Dr. Öğr. Üyesi Gökhan Açıkbay
Dr. Öğr. Üyesi Fatma Aydın Ünal
Dr. Öğr. Üyesi Bayram Kılıç
Dr. Öğr. Üyesi Sümeyra Sultan Tiske İnan
Dr. Öğr. Üyesi Meruyert Kaygusuz
Dr. Öğr. Üyesi Mustafa Özdemir
Dr. Öğr. Üyesi Gülden Köktürk
Dr. Öğr. Üyesi Gürcan Atakök
Dr. Öğr. Üyesi Tahir Akgül
Dr. Öğr. Üyesi Utku Köse
Dr. Öğr. Üyesi Kazım Onur Demirarslan
Dr. Öğr. Üyesi Mihriban Kalkancı
Dr. Öğr. Üyesi Tuđba Aktar
Dr. Öğr. Üyesi Nur (Ayvaz) Çavdarođlu
Dr. Öğr. Üyesi Kadir Gündođan
Dr. Öğr. Üyesi řengül řanlılar
Dr. Öğr. Üyesi Özgür Cengiz
Dr. Öğr. Üyesi Serden Bařak
Dr. Öğr. Üyesi Hatice Pekmez
Dr. Öğr. Üyesi Ömer Eren
Dr. Öğr. Üyesi Emine Bakan
Dr. Öğr. Üyesi Mehmet Ali Özçelik
Dr. (Ph.D) Nadir Yıldırım
Dr. (Ph.D) Merdin Danıřmaz
Dr. (Ph.D) Ayře Nur Yüksel

ZIRAAT, ORMAN VE SU ÜRÜNLERİ

Prof. Dr. İsmet Dařdemir
Prof. Dr. Ali Musa Bozdođan
Prof. Dr. Nigar Yarpuz Bozdođan
Prof. Dr. İsmet Yıldırım
Prof. Dr. Salim Hızırođlu
Doç. Dr. Atilla Atik
Dr. Öğr. Üyesi Ali İhsan Kaya
Dr. Öğr. Üyesi Alper Uzun
Dr. Öğr. Üyesi Seyran Palabař Uzun
Dr. Öğr. Üyesi Güngör Karakař
Dr. Öğr. Üyesi Gümüş Funda Gökçe
Dr. Öğr. Üyesi Ayře Yeřilayer
Dr. Öğr. Üyesi Alaettin Keçeli
Dr. Öğr. Üyesi Engin Kılıç
Dr. Öğr. Üyesi řahin Palta
Dr. (Ph.D) Burcu Ak Çimen
Dr. (Ph.D) Erhan Kahya

Dr. Öğr. Üyesi Alper Bideci
Dr. Öğr. Üyesi Ulvi Erhan Erol
Dr. (Ph.D) Elif Merve Yılmaz
Dr. (Ph.D) Deniz Balık
Dr. (Ph.D) Beyza Onur
Prof. Dr. Seçil řatır
Doç. Dr. Deniz Deniz
Doç. Dr. Asım Mustafa Ayten
Doç. Dr. Elif Bayramođlu
Dr. Öğr. Üyesi Ebru Kamacı Karahan
Dr. (Ph.D) řeyma řengür
Dr. (Ph.D) Elif Kaya řahin

SAđLIK BİLİMLERİ

Prof. Dr. Meral Aydenizöz
Doç. Dr. Medine Yılmaz
Yrd. Doç. Dr. Sibel řentürk
Dr. Öğr. Üyesi Mehmet Hamdi řahan
Dr. Öğr. Üyesi Alev Cumbul
Dr. Öğr. Üyesi Ayře Koyun
Dr. Öğr. Üyesi Gül Bayram Abiha
Dr. Öğr. Üyesi Gökhan Nur
Dr. Öğr. Üyesi Pelin Telkoparan Akıllılar
Dr. Öğr. Üyesi Serdar Güngör
Dr. Öğr. Üyesi Gülřen Goncagül
Dr. Öğr. Üyesi Gül Sultan Özeren
Dr. Öğr. Üyesi Kevser Sevgi Ünal
Dr. Öğr. Üyesi Mustafa Agah Tekindal
Dr. Öğr. Üyesi Lale Sariye Akan
Dr. Öğr. Üyesi Ayře Koyun
Dr. Öğr. Üyesi Serçin Özlem Çalıřkan
Dr. Öğr. Üyesi Ayře Özdemir
Dr. Öğr. Üyesi Gül Ergün
Dr. Öğr. Üyesi Ayře Çiçek Korkmaz
Dr. (Md.) Dilek Atik
Dr. (Md.) Ceren Canbey Göret
Dr. (Ph.D) Hamza Malik Okuyan
Dr. (Ph.D) Canan Birimođlu Okuyan
Dr. (Ph.D) Kayhan Bolelli
Dr. (Ph.D) Hülya Kök Eren
Dr. (Ph.D) Emre Özgür Bulduk
Dr. (Ph.D) Serhat Sirekbasan
Dr. (Ph.D) Serap Canlı
Dr. (Ph.D) Ceyhan Hacıođlu
Dr. (Ph.D) Fatih Kar

SPOR BİLİMLERİ

Prof. Dr. Fatma Çelik Kayapınar
Doç. Dr. Abdurrahman Kepođlu
Doç. Dr. Ali Serdar Yücel
Dr. Öğr. Üyesi Nurgül Özdemir
Dr. Öğr. Üyesi řengül Demiral

EK LİSTE 4

	Dr. Öğr. Üyesi Ali Gürel Göksel Dr. Öğr. Üyesi Ahmet Şadan Ökmen Dr. Öğr. Üyesi Serhat Özdenk Dr. (Ph.D) Mehmet Behzat Turan Dr. (Ph.D) Turan Çetinkaya Dr. (Ph.D) Özkan Güler
--	---